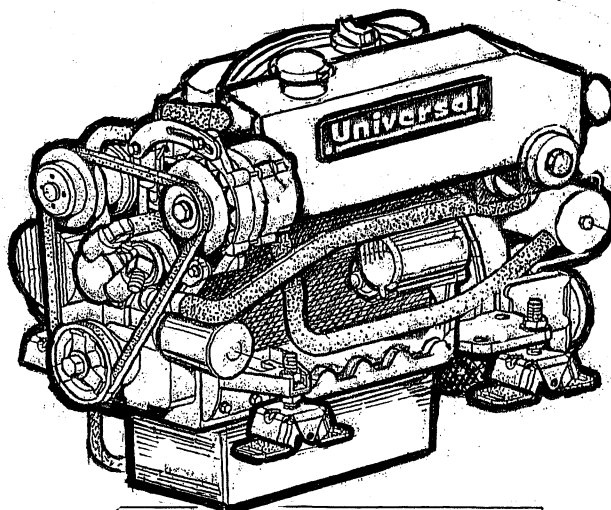


PARTS LIST

Universal

MARINE DIESEL ENGINE

M-25XPA(C)



PUBLICATION NO. 201098
REVISION 0
APRIL 2016



WESTERBEKE CORPORATION • 150 JOHN HANCOCK ROAD
MYLES STANDISH INDUSTRIAL PARK • TAUNTON MA 02780
WEBSITE: WWW.WESTERBEKE.COM

 Member National Marine Manufacturers Association

TABLE OF CONTENTS

CRANKCASE ASSEMBLY	2	NOZZLE HOLDER ASSEMBLY	27
PARTS LIST.....	3	PARTS LIST.....	27
CYLINDER HEAD ASSEMBLY	4	THERMOSTAT / WATER FLANGE ASSEMBLY	28
PARTS LIST.....	4	PARTS LIST.....	29
MAIN BEARING CASE ASSEMBLY	5	HEAT EXCHANGER ASSEMBLY	30
PARTS LIST.....	5	PARTS LIST.....	31
HEAD COVER ASSEMBLY	6	FLYWHEEL ASSEMBLY	32
PARTS LIST.....	7	PARTS LIST.....	32
PISTON CRANKSHAFT ASSEMBLY	8	THROTTLE BRACKET ASSEMBLY	33
PARTS LIST.....	9	PARTS LIST.....	33
VALVE ROCKER ARM ASSEMBLY	10	BELL HOUSING ASSEMBLY & TRANSMISSION	34
PARTS LIST.....	10	PARTS LIST.....	35
CAMSHAFT ASSEMBLY	11	FUEL LIFT PUMP & SOLENOID	36
PARTS LIST.....	11	PARTS LIST.....	37
FUEL CAMSHAFT ASSEMBLY	12	RAW WATER PUMP	38
PARTS LIST.....	13	PARTS LIST.....	39
GEAR CASE ASSEMBLY	14	ELECTRICAL SYSTEM	40
PARTS LIST.....	15	PARTS LIST.....	41
INLET MANIFOLD ASSEMBLY	16	TRANSMISSION HBW BRACKET	42
PARTS LIST.....	17	PARTS LIST.....	42
OIL PAN ASSEMBLY	18	FUEL FILTER ASSEMBLY	43
PARTS LIST.....	19	PARTS LIST.....	43
WATER PUMP ASSEMBLY	20	ALTERNATOR ASSEMBLY	44
PARTS LIST.....	21	PARTS LIST.....	44
SPEED CONTROL PLATE ASSEMBLY	22	ALTERNATOR MOUNTS	45
PARTS LIST.....	22	PARTS LIST.....	45
GOVERNOR ASSEMBLY	23	INSTRUMENT PANELS	46
PARTS LIST.....	23	PARTS LIST.....	47
ENGINE STOP LEVER ASSEMBLY	24	MISCELLANEOUS EQUIPEMENT	42
PARTS LIST.....	25	PARTS LIST.....	43
NOZZLE HOLDER	26		
PARTS LIST.....	26		

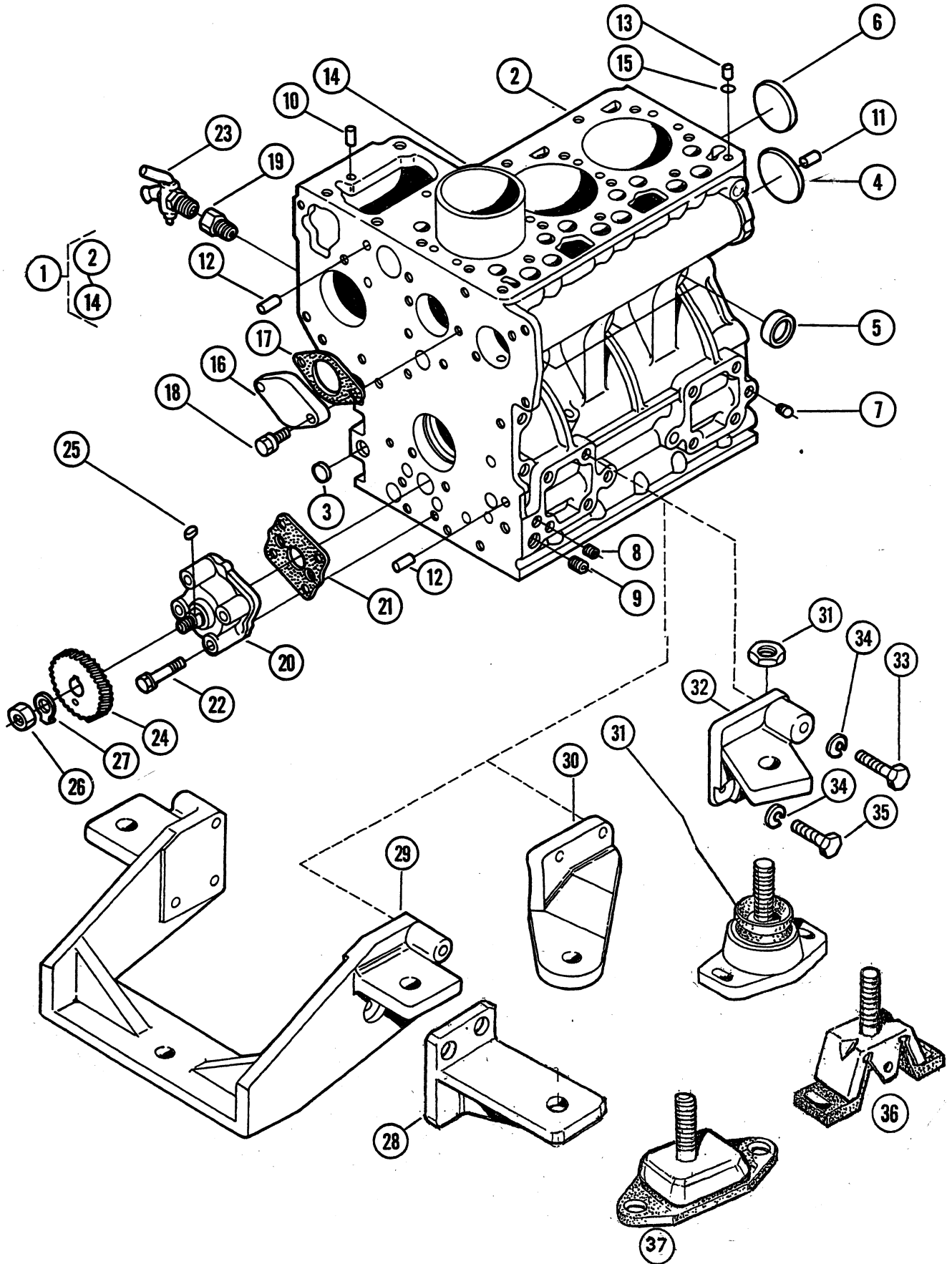
When ordering parts, please specify the engine's serial number and model number that are located on the Universal nameplate mounted to the side of the manifold.

MANUFACTURING DATE CODE

The serial number for your Universal Marine Diesel Engine contains a manufacturing date code at its end. Date codes from 1990 up to 2008 were alpha numeric. The first character representing the decade D=1990s, E=2000s. The three numbers following represent the year in that decade and the month. Example: D311 represents 1993, the month November (11 month). Universal A model Diesel engines were manufactured from 1993—1997.



CRANKCASE ASSEMBLY



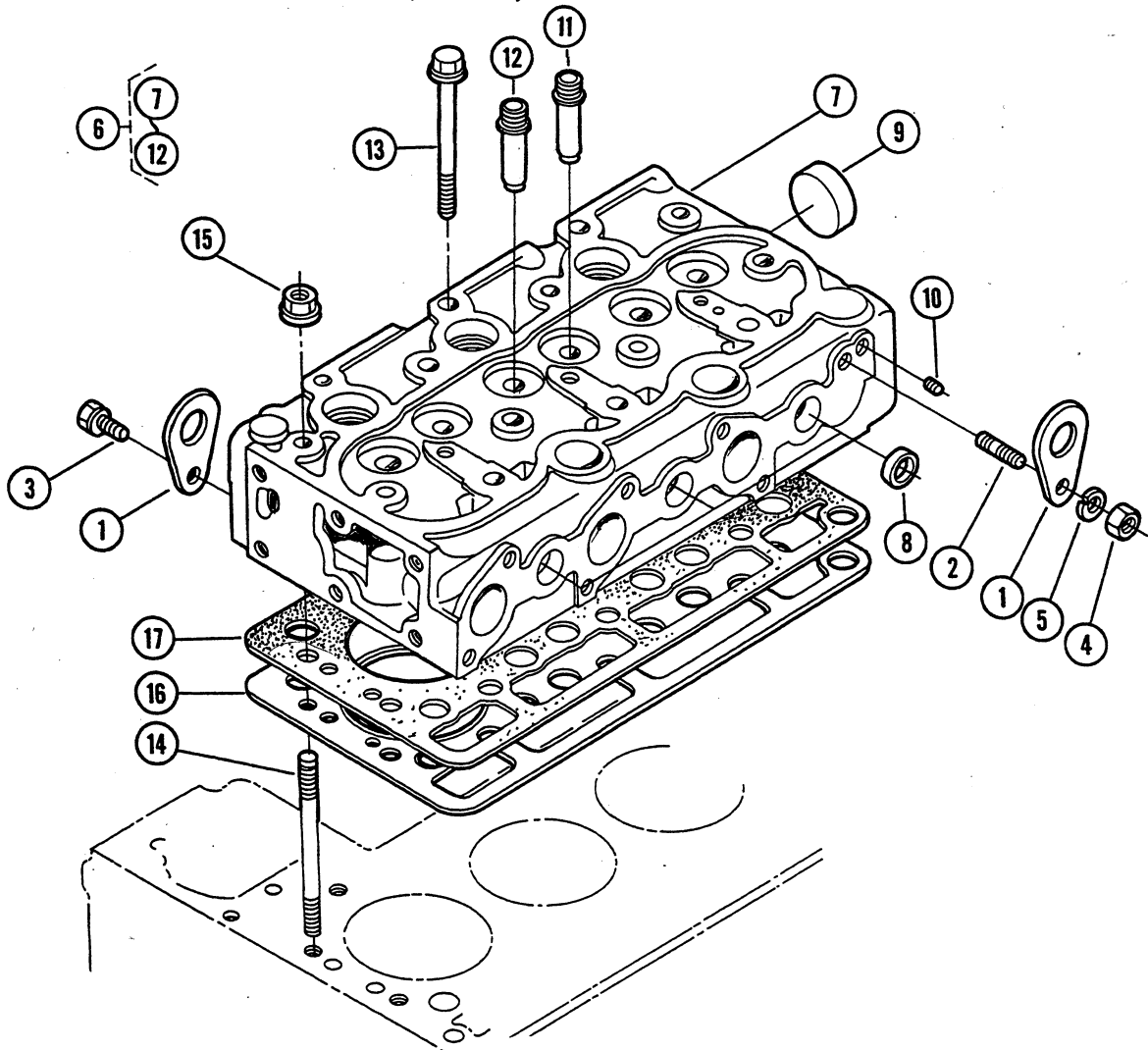
CRANKCASE ASSEMBLY

Item	Part No.	Quantity	Name/Description
1	300129	1	Complete Crankcase <i>(no longer available)</i>
1A	302182	_____	Complete Block M - 25XP A <i>(no longer available)</i>
2			Order by Item No. 1
3	299352	3	Expansion Plug
4	299353	1	Expansion Plug
5	299354	5	Sealing Cap
6	299355	1	Sealing Cap
7	299356	6	Plug
8	299357	3	Plug
9	299358	1	Plug
10	299359	2	Straight Pin
11	299360	2	Straight Pin
12	301484	2	Pipe Pin
13	301485	1	Pipe Pin
14	302272	3	Cylinder Liner M - 25XPA
15	299362	1	O-Ring
16	299363	1	Water Cover
17	299364	1	Water Cover Gasket
18	299462	2	Bolt
19	301486	1	Drain Cock Plug
20	299405	1	Oil Pump Assembly
21	299406	1	Oil Pump Packing
22	300143	4	Bolt
23	301487	1	Drain Cock
24	299407	1	Oil Pump Drive Gear
25	299408	1	Feather Key
26	299409	1	Nut
27	299413	1	Claw Washer
28	302969	2	Mount R&L <i>(Catalina)</i>
29	301057	1	3 & 4 Point Combination Mount
30	300284	1	Front Mount Port Side
	300296	1	Front Mount Starboard Side
31	032013	2	Flexible Mount & Nut <i>(40 Durometer)</i>
32-1	300961	1	Front Mount Port Side <i>(11 1/2 Ctr)</i>
32-1	300736	1	Front Mount Starboard Side <i>(11 1/2 Ctr)</i>
33	298617	2	Hex Head Cap Screw
34	298463	6	Washer Split Lock
35	299510	4	Screw Hex Head cap
36	040510	2	Flexible Mount with Nuts & Washer
37	036339	2	Flexible Mount with Nuts & Washer <i>(45 Durometer)</i>

Note: When ordering Flexible Mounts, items #31, #36 or #37, refer to the illustrations on the opposite page and compare them with those on your engine to order the correct style.

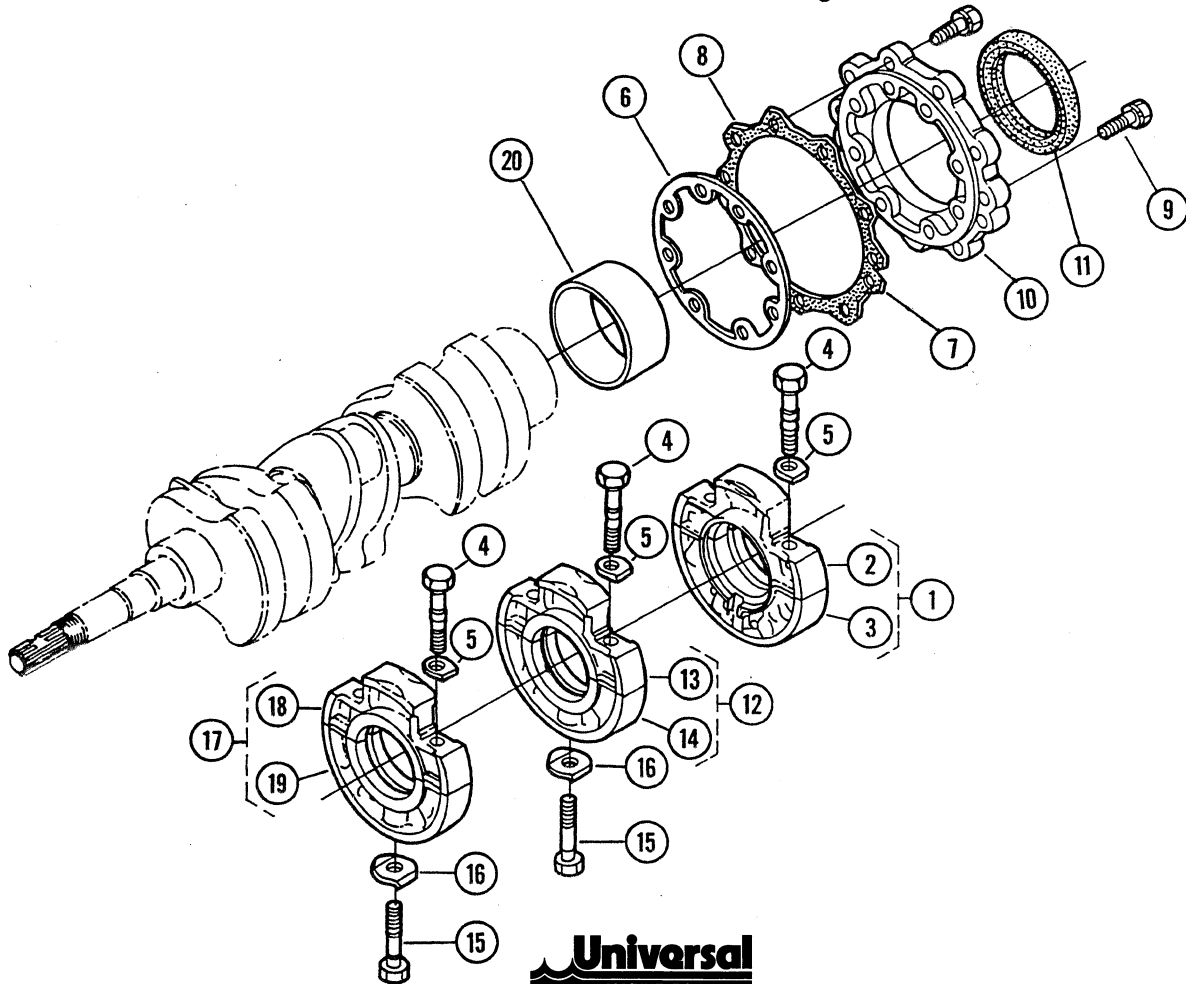
CYLINDER HEAD ASSEMBLY

Item	Part No.	Quantity	Name/Description
1	298666	2	Lifting Eye *
2	300135	1	Stud
3	300008	1	Bolt
4	299529	1	Nut
5	299515	2	Spring Washer
6	302183	1	Cylinder Head Assembly M - 25XPA
7			Order by Item No. 6
8	299905	5	Sealing Cap
9	299906	1	Sealing Cap
10	299356	2	Plug
11	299386	3	Inlet Valve Guide
12	299394	3	Exhaust Valve Guide
13	300137	12	Cylinder Head Bolt
14	300138	2	Cylinder Head Stud
15	300139	2	Cylinder Head Nut
16	302184		Cylinder Head Gasket M - 25XPA
17	302185	As Req.	Cylinder Head Gasket Shim — M - 25XPA

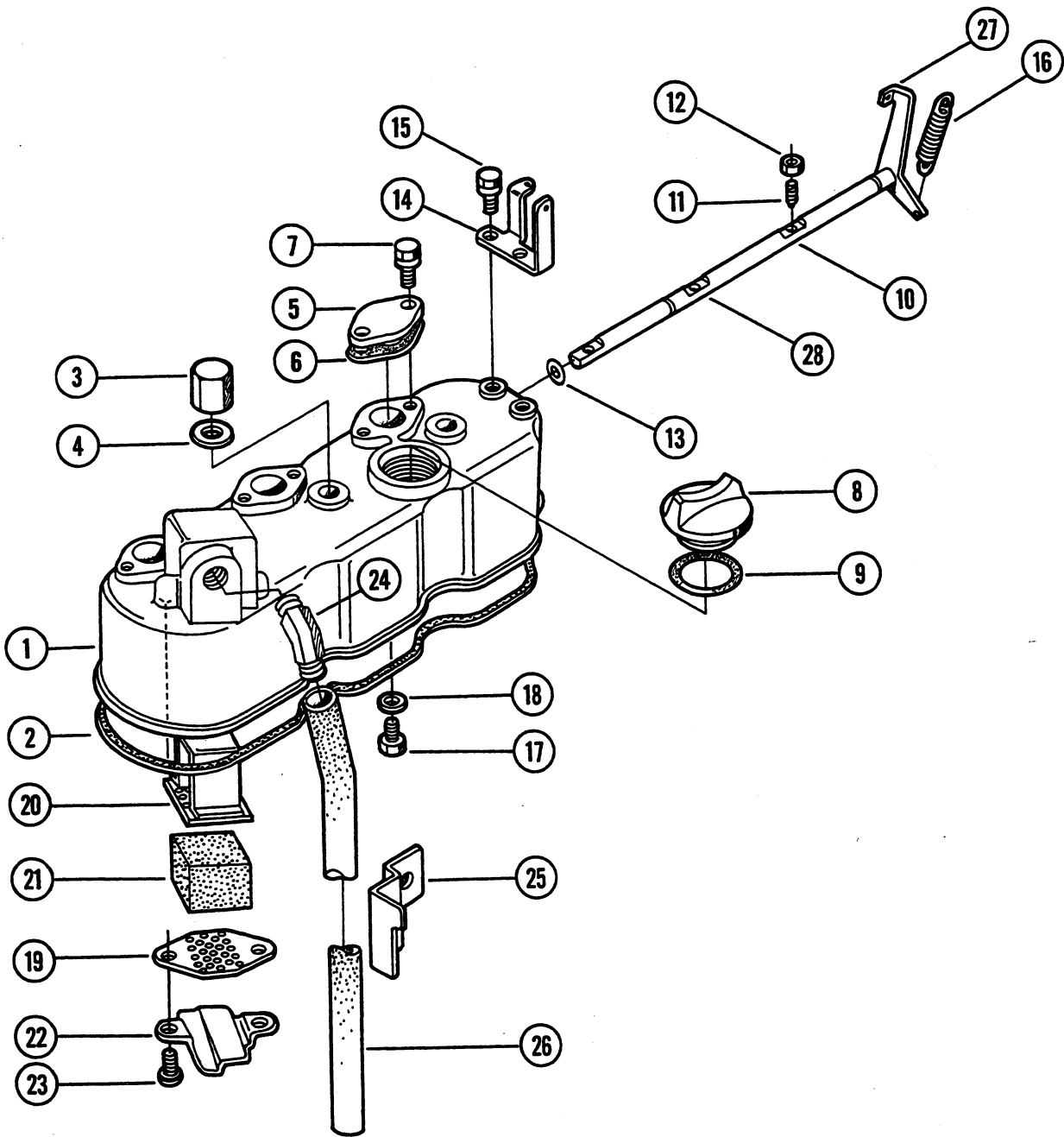


MAIN BEARING CASE ASSEMBLY

Item	Part No.	Quantity	Name/Description
1	299414	1	Main Bearing Case Assembly
2			<i>Order by Item No. 1</i>
3			<i>Order by Item No. 1</i>
4	299415	6	Bearing Case Bolt
5	299416	6	Bearing Case Washer
6	299417	1	Bearing Case Gasket
7	300144	1	Bearing Case Cover
	300815	1	Bearing Case Cover, Oversize
8	299418	1	Bearing Case Cover Gasket
9	299432	9	Bolt
10	299432	8	Boft
11	299419	1	Oil Seal
	301085	1	Oil Seal, Oversize
12	299420	1	Main Bearing 2 Case Assembly
13			<i>Order by Item No. 12</i>
14			<i>Order by Item No. 12</i>
15	300145	2	Bearing Case Bolt
16	299421	2	Bearing Case Washer
17	300146	1	Main Bearing 3 Case Assembly
18			<i>Order by Item No. 17</i>
19			<i>Order by Item No. 17</i>
20	300813	1	Sheeve Wear Ring



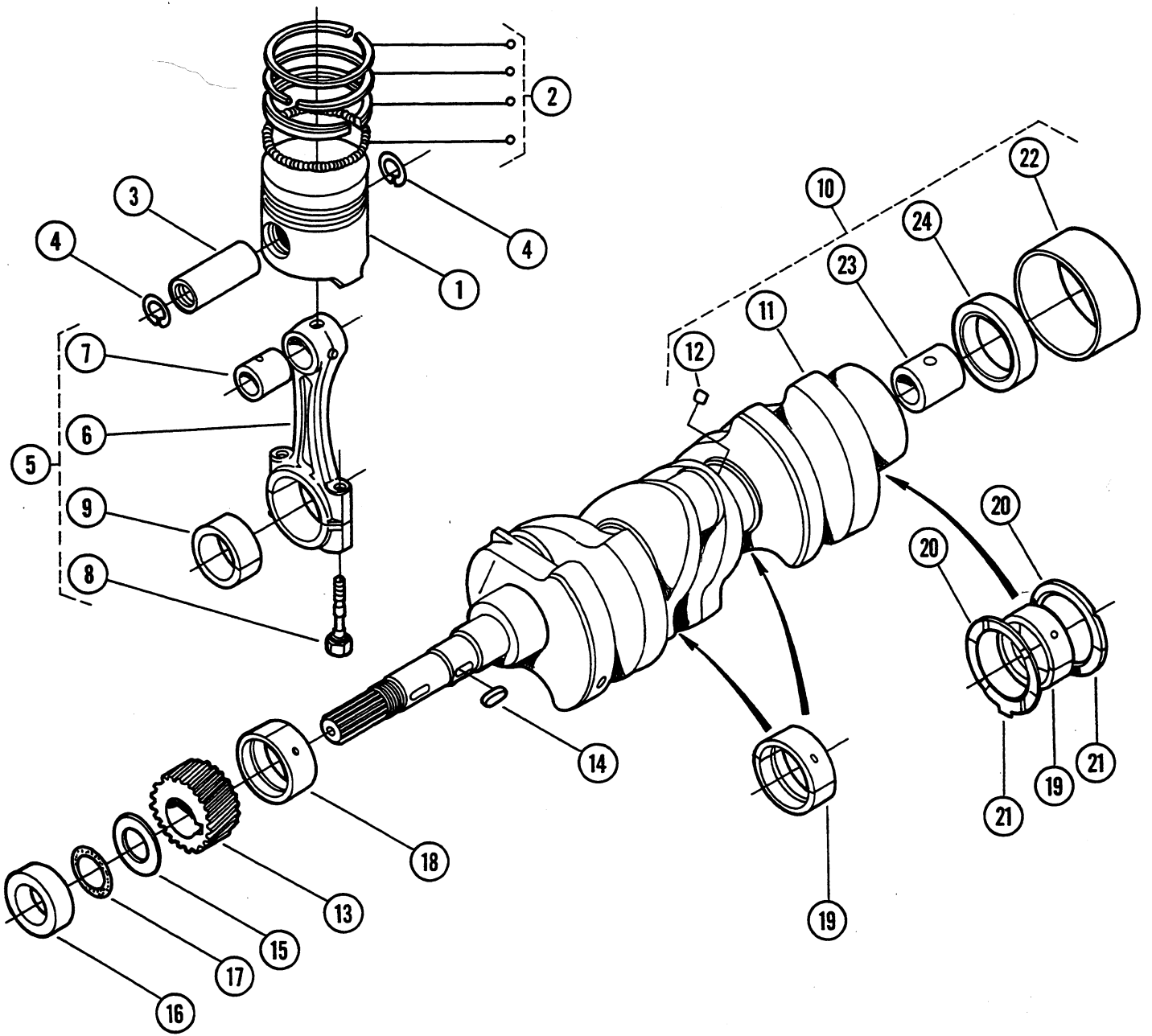
HEAD COVER ASSEMBLY



HEAD COVER ASSEMBLY

Item	Part No.	Quantity	Name/Description
1	300157	1	Cylinder Head Cover
2	300158	1	Head Cover Gasket
3	239457	3	Cap Nut
4	299459	3	Gasket
5	299460	3	Decompression Hole Cover
6	299461	3	Cover Gasket
7	299462	6	Bolt
8	299464	1	Oil Filler Plug
9	299465	1	O-Ring
10	300159	1	Decompression Shaft
11	299467	3	Compression Bolt
12	299468	3	Nut
13	299469	1	O-Ring
14	299470	1	Decompression Wire Holder
15	299462	2	Bolt
16	299471	1	Decompression Spring
17	298835	1	Bolt
18	299369	3	Spring Washer
19	301391	1	Breather Element 1 Plate
20	301392	1	Breather Element 2 Plate
21	300148	1	Breather Element
22	301393	1	Breather Oil Shield
23	301399	2	Screw
24	299854	1	Breather Elbow
25	301491	1	Pipe Clamp — Hose
26	300013	1	Breather Hose
27	300159	1	Lever
28	301394	1	Shaft

PISTON CRANKSHAFT ASSEMBLY

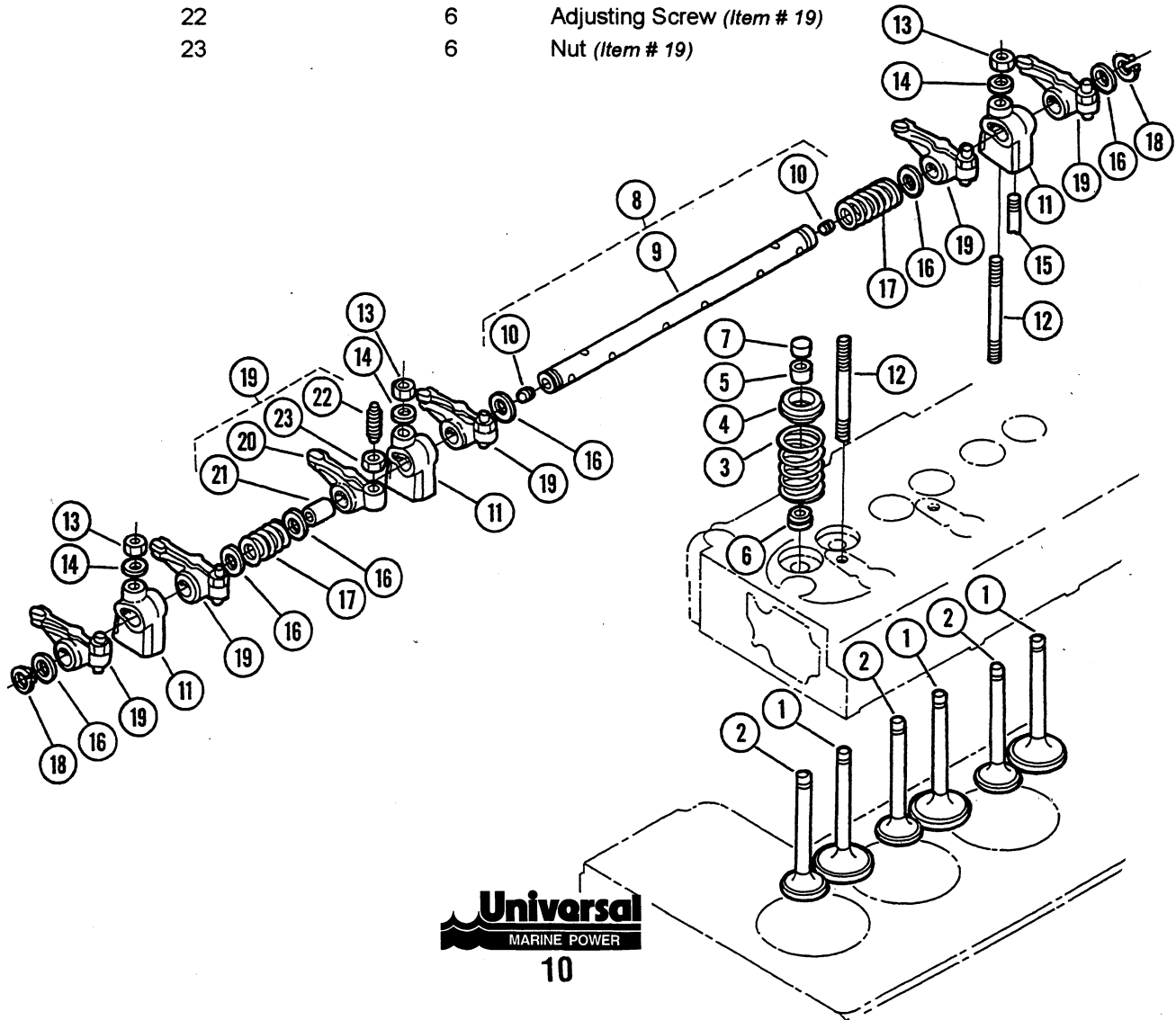


PISTON CRANKSHAFT ASSEMBLY

Item	Part No.	Quantity	Name/Description
1	302186		Piston — Standard
	301520	3	Piston, + .05 mm
2	302467		Piston Ring Assembly
	301521	3	Piston Ring Assembly, + .05 mm
3	299489	1	Piston Pin
4	299490	6	Piston Pin Cir-Clip
5	299491	3	Connecting Rod Assembly
6			<i>Order by Item No. 5</i>
7	301154	3	Piston Pin Bushing
8	302468	6	Connecting Rod Bolt
9	299494	6	Rod Bearing Std.
	300779	3	Rod Bearings, .2 mm
	300780	3	Rod Seatings, .4 mm
10	300167	1	Crankshaft Assembly
11			<i>Order by Item No. 10</i>
12	299385	3	Pin Plug
13	300168	1	Crankshaft Gear
14	299496	1	Feather Key
15	299497	1	Crankshaft Oil Slinger
16	299497	1	Crankshaft Collar
17	299499	1	O-Ring
18	299500	1	Bearing
	300752		Bearing, .02 mm Oversize
	300753		Bearirng .04 mm Oversize
19	299501		Bearing Metal 2
	300754		Main Bearing 1, .2 mm
	300755		Main Bearing 1, .4 mm
20	299502	2	Side Metal 1 (<i>Thrust Washer</i>)
21	299503	2	Side Metal 2 (<i>Thrust Washer</i>)
22	300813	1	Crankshaft Sleeve
23	299950	1	Bearing
24	299949	1	Oil Seal

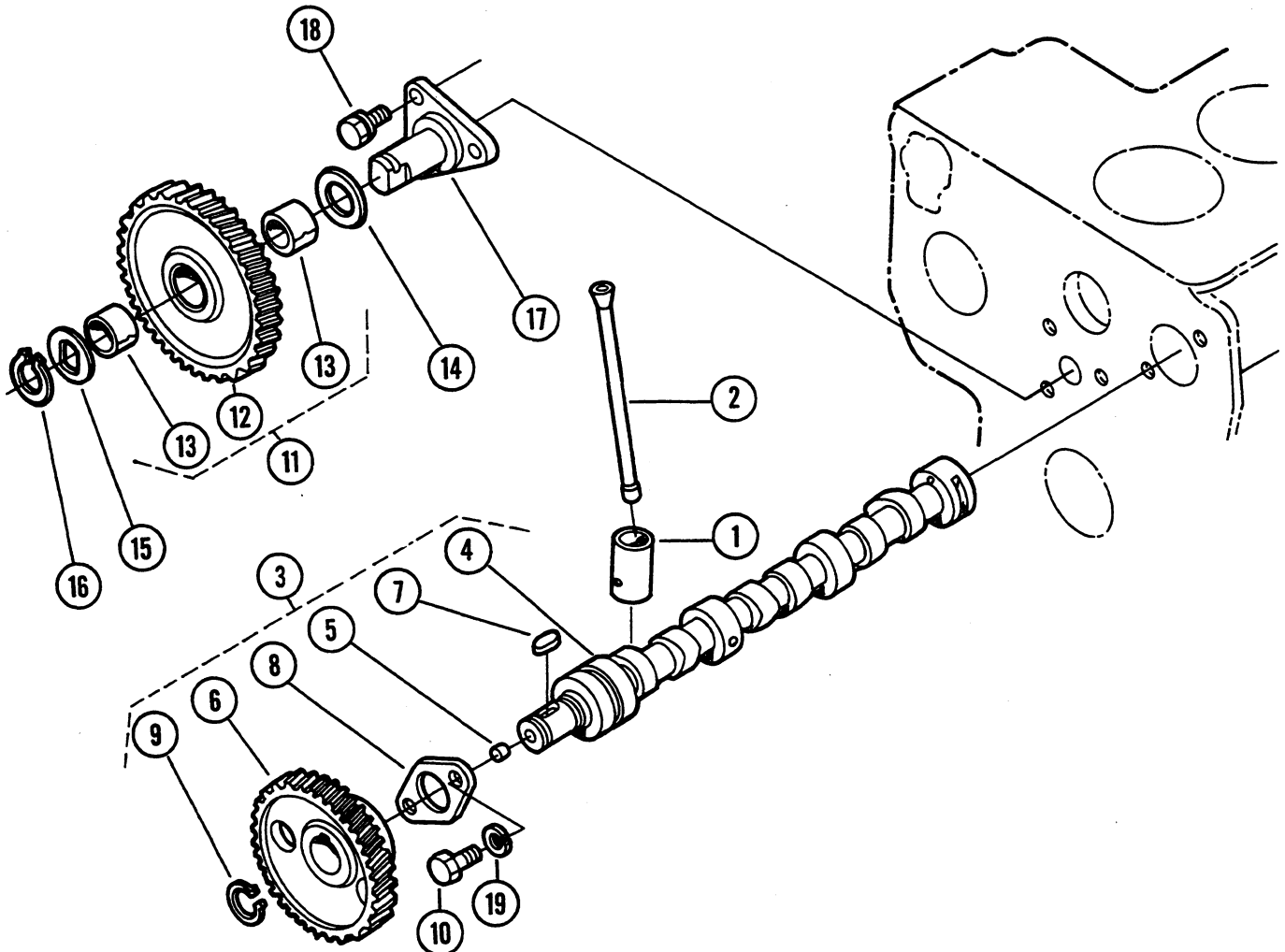
VALVE ROCKER ARM ASSEMBLY

Item	Part No.	Quantity	Name/Description
1	300152	3	Inlet Valve
2	300153	3	Exhaust Valve
3	299438	6	Valve Spring
4	299439	6	Valve Spring Retainer
5	299440	12	Valve Spring Collet
6	299441	6	Valve Stem Seal
7	299442	6	Valve Clip
8	300154	1	Rocker Arm Shaft Assembly
9			Order by Item No. S
10	300155	2	Set Screw
11	299444	3	Rocker Arm Bracket
12	299445	3	Stud
13	299446	3	Nut
14	300156	3	Plain Washer
15	299447	1	Set Screw
16	299448	6	Rocker Arm Washer
17	299449	2	Rocker Arm Spring
18	299450	2	External Cir-Clip
19	300227	6	Rocker Arm Assembly
20		6	Order by Item No. 19
21		6	Rocker Arm Bushing (<i>Item # 19</i>)
22		6	Adjusting Screw (<i>Item # 19</i>)
23		6	Nut (<i>Item # 19</i>)

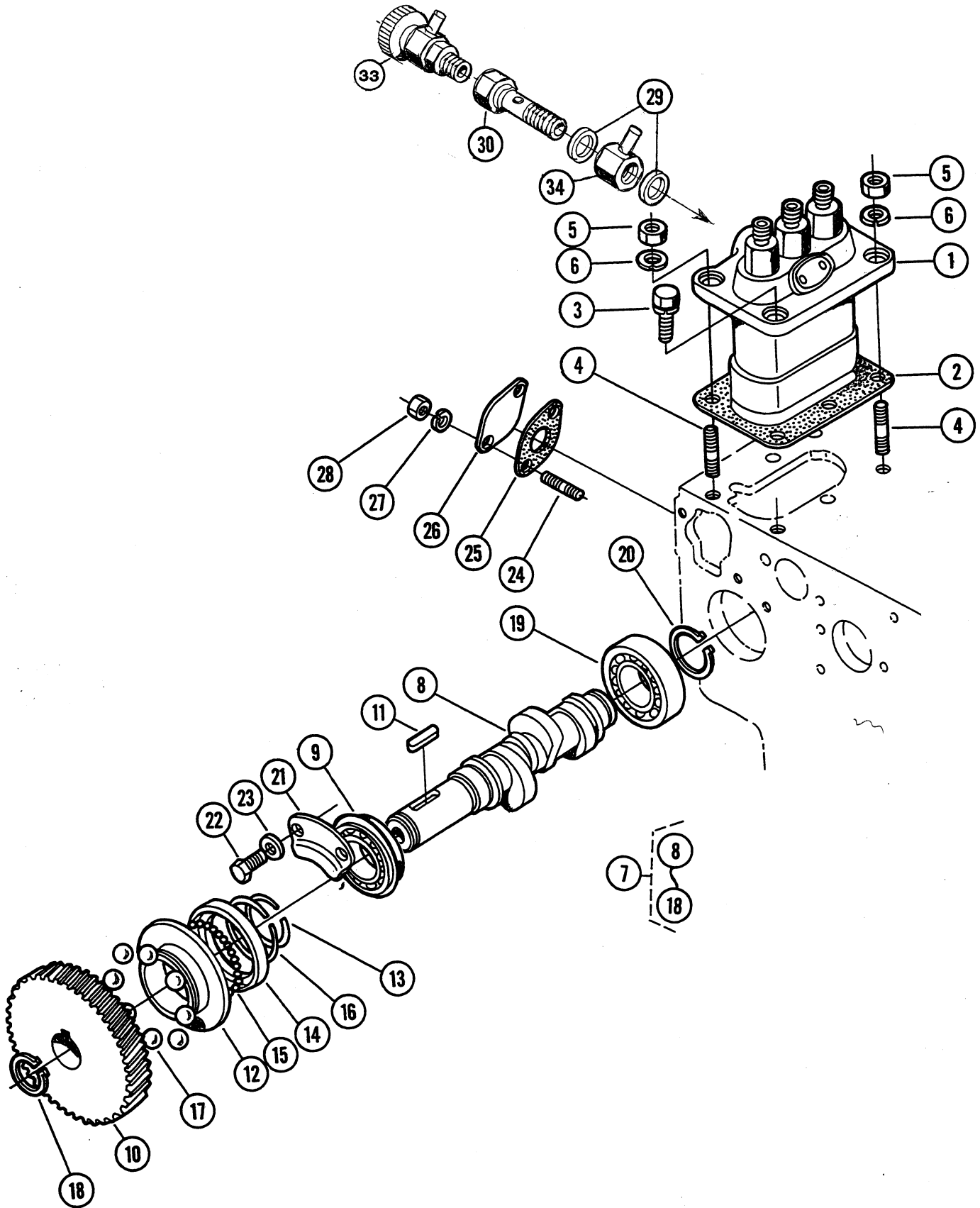


CAMSHAFT ASSEMBLY

Item	Part No.	Quantity	Name/Description
1	299472	6	Tappet
2	299473	6	Push Rod
3	300161	1	Camshaft Assembly
4			Camshaft (<i>Order by Item No. 3</i>)
5	300162	2	Blind Plug
6	299475	1	Camshaft Gear
7	299476	1	Feather Key
8	299477	1	Camshaft Stopper
9	299535	1	External Cir-Clip
10	299462	2	Bolt
11	299478	1	Idler Gear Assembly
12			(<i>Order by Item No. 11</i>)
13		2	Idler Gear Bushing (<i>Item No. 11</i>)
14	299480	1	Idler Gear Collar 1
15	299481	1	Idler Gear Collar 2
16	299482	1	External Cir-Clip
17	299483	1	Idler Gear Shaft
18	299462	3	Bolt
19	299369	2	Spring Washer



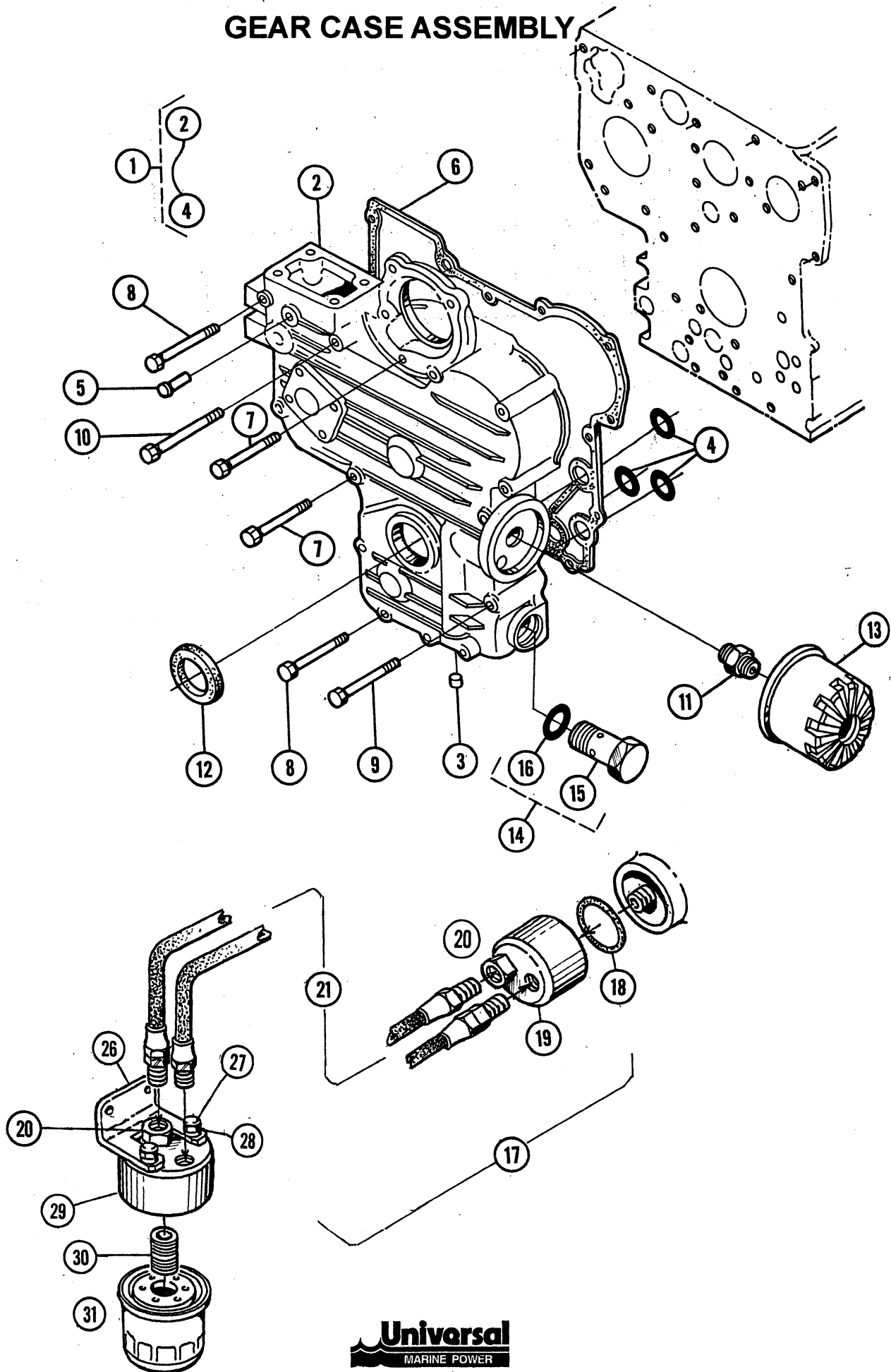
FUEL CAMSHAFT ASSEMBLY



FUEL CAMSHAFT ASSEMBLY

Item	Part No.	Quantity	Name/Description
1	300191	1	Pump Injection
2	300192	1	Shim Pump Injection
3	299527	2	Bolt
4	300231	2	Stud
5	299529	2	Nut
6	299583	2	Washer Spring
7	300193	1	Camshaft Fuel
8	300194	1	Camshaft Fuel
9	300195	1	Bearing Ball
10	300196	1	Gear Injection
11	299531	1	Key Feather
12	300197	1	Sleeve Governor
13	300198	1	Cir-Clip
14	299532	1	Case Governor Ball
15	299533	30	Ball
16	300199	1	Cir-Clip
17	299534	8	Ball
18	299535	1	Cir-Clip External
19	299536	1	Bearing Ball
20	299537	1	Cir-Clip External
21	300200	1	Stopper Fuel Camshaft
22	299462	2	Bolt
23	299380	2	Lock Washer
24	301509	2	Stud
25	297872	1	Packing Fuel Pump
26	299822	1	Cover
27	299542	2	Washer Spring
28	298684	2	Nut
29	300202	2	Gasket Bleed Screw
30	301936	1	Bleed Screw Adaptor
33	300050	1	Bleed Valve Assembly
34	299428	1	Fuel Inlet Joint

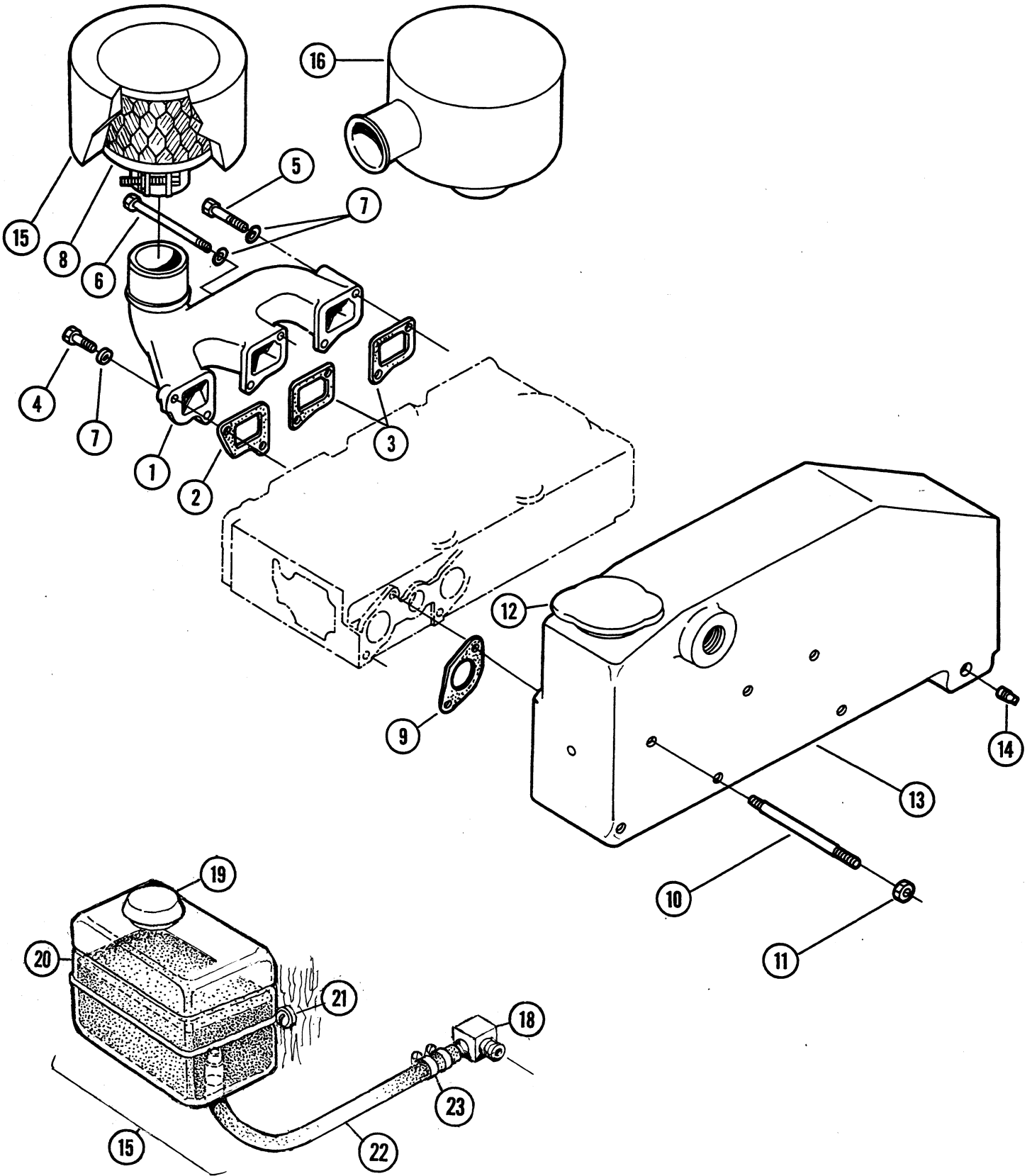
GEAR CASE ASSEMBLY



GEAR CASE ASSEMBLY

Item	Part No.	Quantity	Name/Description
1	300140	1	Gear Case Assembly
2			Order by Item No. 1
3	299395	2	Plug
4	300160	3	O-Ring
5	301489	1	Start Spring Pin
6	300180	1	Gear Case Gasket
7	299399	7	Bolt
8	299400	5	Bolt
9	299401	1	Bolt
10	299402	1	Bolt
11	301490	1	Joint Pipe
12	299404	1	Oil Seal
13	3002209	1	Oil Filter
14	299374	1	Relief Valve Assembly
15			Order by Item No. 14
16	299374	1	O-Ring
17	040078	1	Filter Kit — Remote Lube Oil, Includes Items 18-21 & 26-31
18	301842	1	O-Ring
19	040075	1	Adapter — Remote Oil Filter
20	013348	2	Connector — Hose
21	011925	2	Hose — Oil 40 1/4 LG
22	302678	1	Gasket
23	302679	2	Clamp
24	299032	2	Bolt
25	299033	2	Washer
26	040074	1	Bracket — Remote Oil Filter
27	031503	2	Capscrew — 1/4 NC x 3/4
28	031752	2	Lockwasher — Split 1/4 Med (Steel)
29	040073	1	Adapter — Remote Oil Filter
30	034663	1	Nipple — Oil Filter to Adapter
31	300209	1	Filter — Lube Oil

INLET MANIFOLD ASSEMBLY



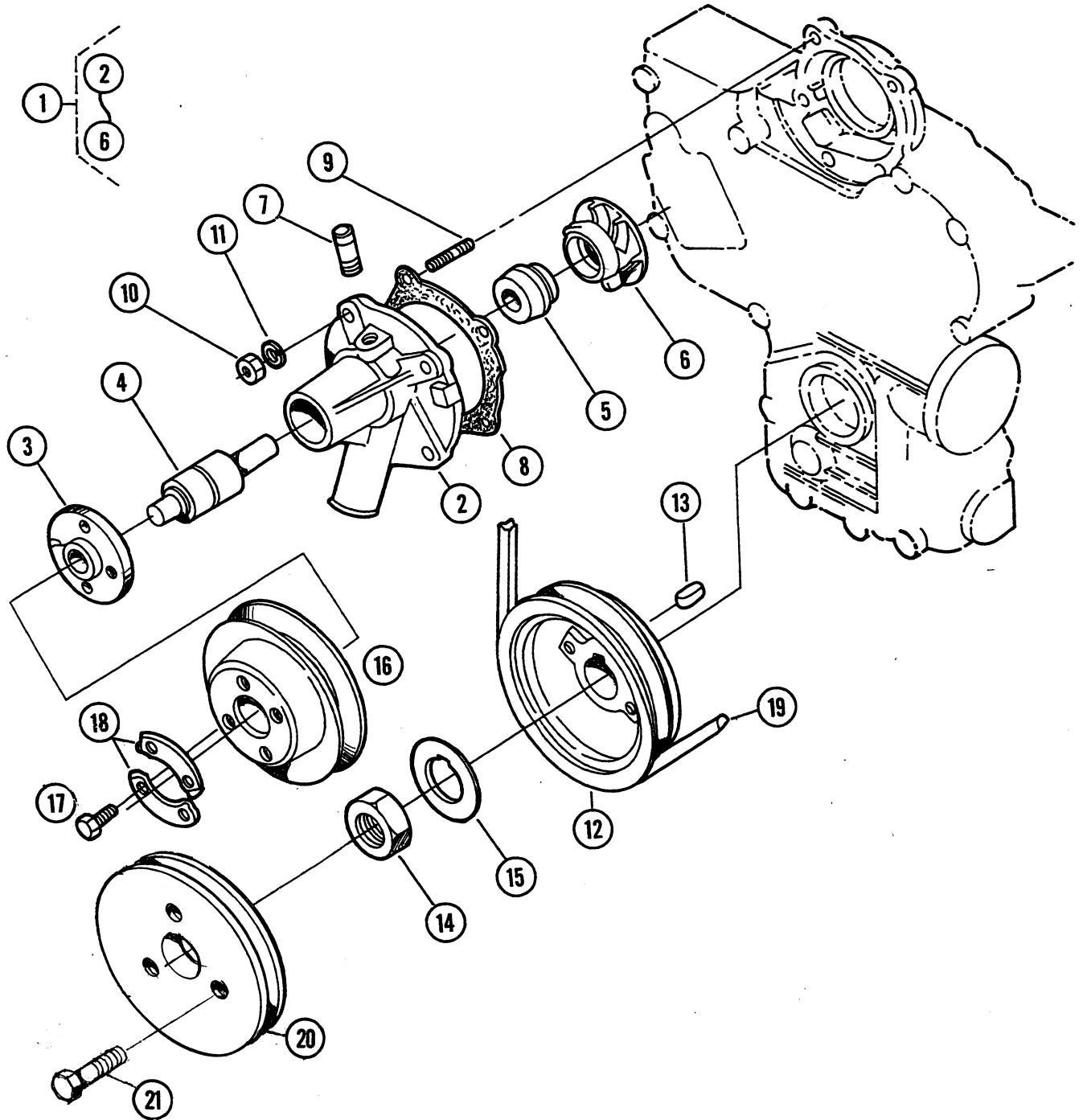
INLET MANIFOLD ASSEMBLY

Item	Part No.	Quantity	Name/Description
1	300149	1	Inlet Manifold
2	299430	1	Gasket Inlet Manifold 1
3	299431	2	Gasket Inlet Manifold 2
4	299432	4	Bolt
5	299399	1	Bolt
6	300150	1	Bolt
7	299363	2	Washer Spirog
8	299435	3	Gasket Exhaust Manifold
9	300095	6	Studs Manifold
10	298684	6	Nut
11	299956	1	Radiator Cap 14 PSI
12	301014	1	Manifold — Exhaust
13	239136	1	Plug Pipe 1/8-27
14	301049	1	Filter Element
15	301138	1	Filter Air, New S1yle
16	302181	1	Filter Air, Alum Honeycomb
17	024907	1	Elbow — Manifold to Hose
18	024907	1	Elbow — Manifold to Hose
19	024858	1	Cap — Coolant Recovery Tank
20	024704	1	Tank — Coolant Recovery
21	024786	1	Strap — Coolant Recovery Tank
22	024637	72"	Tubing 5/16" ID — Manifold to Tank (<i>Inches Req</i>)
23	024906	2	Clamp — #04
24	024977	1	Tank Kit — Coolant Recovery (<i>Includes Ref # 19-23</i>)

OIL PAN ASSEMBLY

Item	Part No.	Quantity	Name/Description
1	300134	1	Gauge Oil
2	301488	2	Bracket
3	300206	1	Bolt
4	300031	2	Washer, Plain
5	300720	1	Gauge, Oil Guide
6	300208	1	Nut
7	300132	1	Gasket, Oil Pan
8	299462	2	Bolt
9	302237	1	Gasket, Oil Gauge
10	300131	1	Oil Pan
11	299373	1	O-Ring
12	300133	1	Filter, Oil
13	301497	1	Split Washer
14	300008	1	Bolt
15	200390	1	Drain Hose Assembly
	301431	2	Washer
	036823	1	Banjo Bolt (12mm x 1.25 P)
	024905	1	Cap (1/4 NPT)
	024922	1	Bracket, Drain Hose
16	299368	18	Bolt
17	299369	18	Washer Spring
18	300207	1	Plug (Optional Dipstick Location)
19	300612	1	Oil Drain Plug Gasket
20	301023	1	Drain Plug Adapter (For Drain Hose)
21	030848	1	Drain Hose

WATER PUMP ASSEMBLY

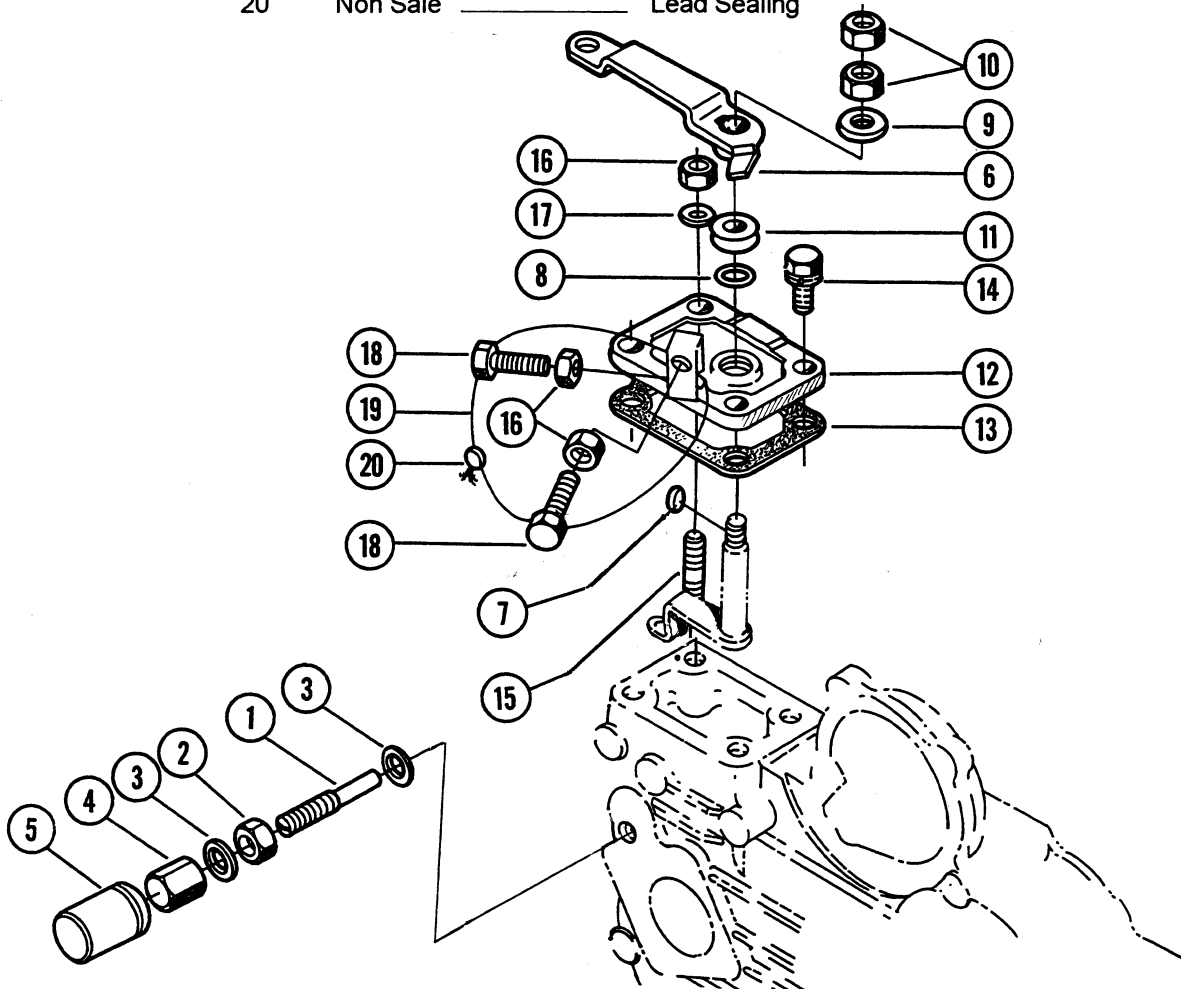


WATER PUMP ASSEMBLY

Item	Part No.	Quantity	Name/Description
1	300203	1	Water Pump Assembly
2			Order by Item No. 1
3	301518	1	Water Pump Flange
4	301158	1	Bearing
5	301159	1	Mechanical Seal Assembly
6	301160	1	Water Pump Impeller
7	301519	1	Water Return Pipe 1
	300204	1	Water Pump Gasket
	300205	4	Stud
10	298684	4	Nut
11	299369	4	Spring Washer
12	300190	1	Fan Drive Pulley
13	299549	1	Feather Key
14	299550	1	Crankshaft Nut
15	300232	1	Crankshaft Washer
16	302189	1	Pulley
17	301256	4	Bolt
18	301517	2	Washer (NLA)
19	302190	1	Belt (AIT Mounted Off Manifold)
19A	300817		Belt
20	302159	1	P.T.O. Pulley
21	302046	3	8 mm x 30 mm Capscrew

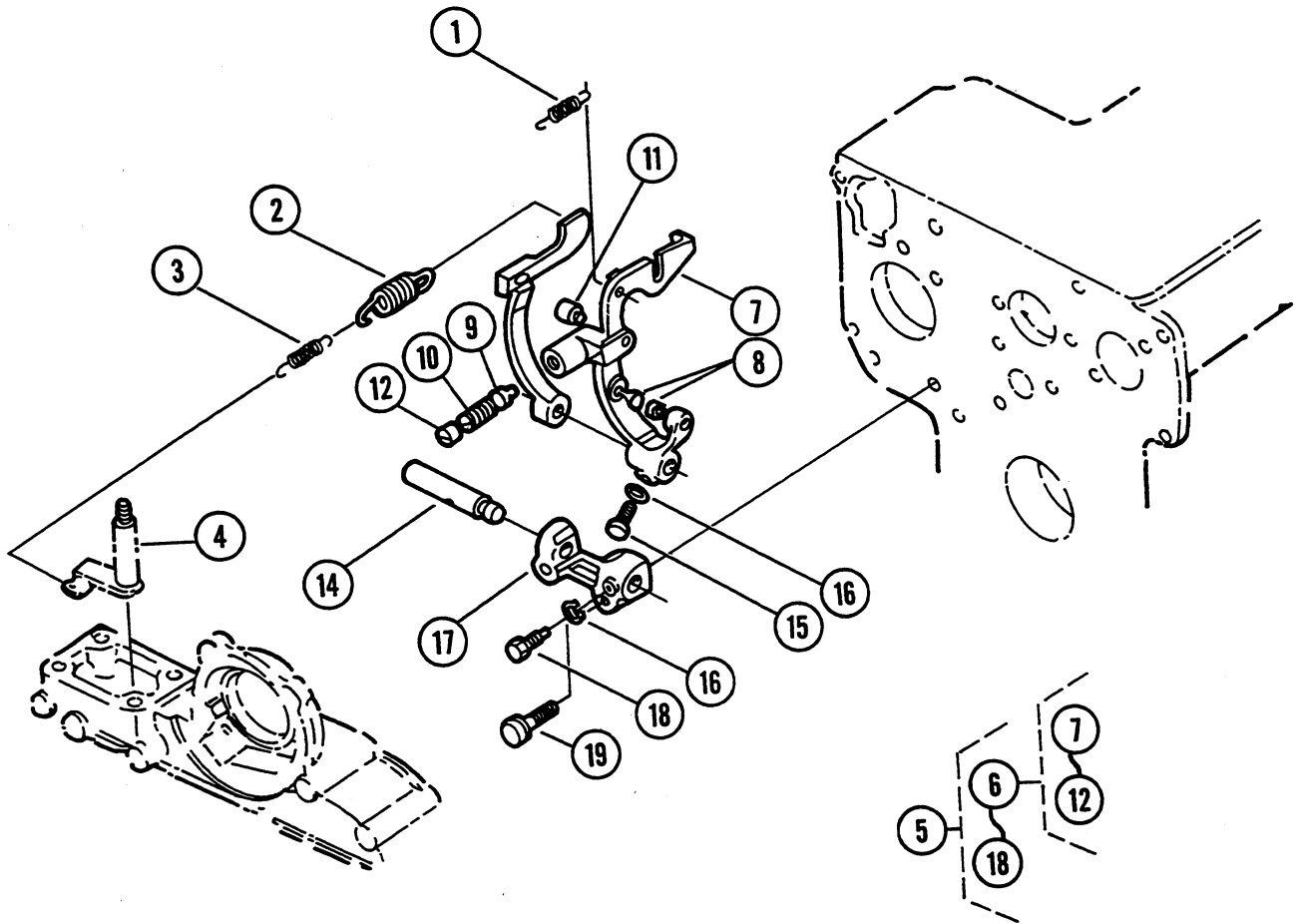
SPEED CONTROL PLATE ASSEMBLY

Item	Part No.	Quantity	Name/Description
1	301501	1	Adjusting Bolt
2	301502	1	Nut
3	301503	2	Gasket
4	301504	1	Cap Nut
5	301505	1	Cap
6	300178	1	Speed Control Lever
7	299540	1	Feather Key
8	299542	1	O-Ring
9	299542	1	Plain Washer
10	299543	2	Nut
11	299544	1	Friction Plate
12	300179	1	Speed Control Plate
13	299545	1	Control Plate Gasket
14	299432	3	Bolt
15	300096	1	Stud
16	298684	3	Nut
17	299369	1	Spring Washer
18	298826	2	Stopper
19	Non Sale		Wire
20	Non Sale		Lead Sealing

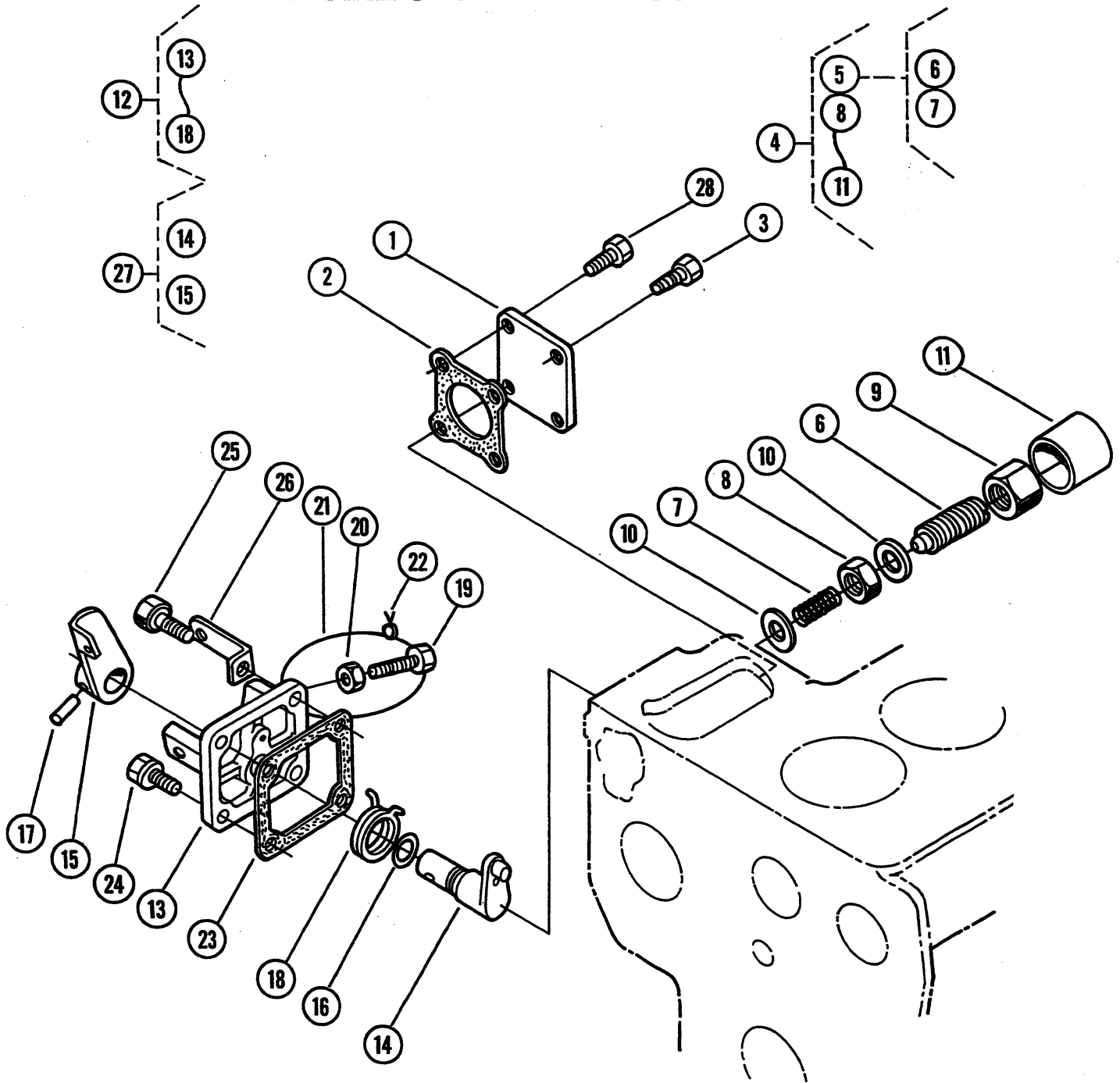


GOVERNOR ASSEMBLY

Item	Part No.	Quantity	Name/Description
1	298828	1	Start Spring
2	300028	1	Governor Spring 1
3	300029	1	Governor Spring 2
4	300691	1	Governor Lever Assembly
5	300182	1	Fork Lever Assembly
6	300183	1	Fork Comp Lever
7	300184	1	Fork Lever
8			<i>Order by Item No. 6</i>
9			<i>Order by Item No. 6</i>
10			<i>Order by Item No. 6</i>
11			<i>Order by Item No. 6</i>
12			<i>Order by Item No. 6</i>
13		1	Fork Lever 2 — Item No. 6
14	300185	1	Fork Lever Shaft
15	300186	1	Bolt
16	300187	2	Spring Washer
17	300188	1	Fork Lever Holder
18	300189	1	Bolt
19	299432	2	Bolt



ENGINE STOP LEVER ASSEMBLY

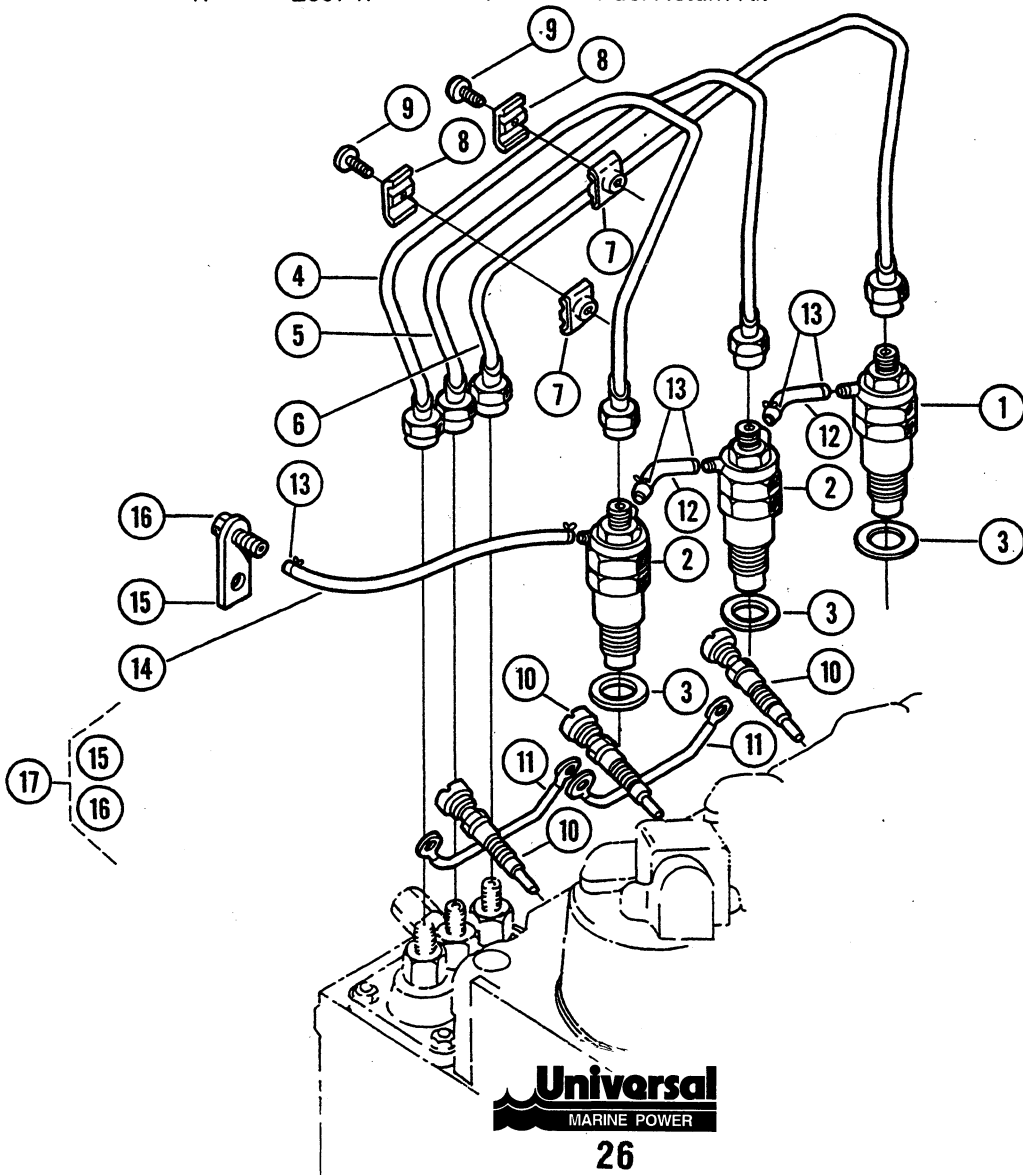


ENGINE STOP LEVER ASSEMBLY

Item	Part No.	Quantity	Name/Description
1	299486	1	Cover
2	299464	1	Pump Gasket
3	299527	3	Bolt
4	300164	1	Idling Apparatus Assembly
5	301492	1	Adjusting Bolt Assembly
6			<i>(Order by Item No. 5 - Adjusting Bolt)</i>
7			<i>(Order by Item No. 5 - Spring)</i>
8	301493	1	Nut
9	301494	1	Cap Nut
10	301495	2	Gasket
11	301417	1	Cap
12	300229	1	Engine Stop Lever Assembly
13	300173	1	Injection Pump Cover
14			<i>(Order by Item No. 27 - Shaft lever)</i>
15			<i>(Order by Item No. 27 - Engine Stop Lever)</i>
16	301496	1	O-Ring
17	301498	1	Spring Pin
18	301499	1	Spring
19	298826	1	Stopper
20	299041	1	Nut
21			Non Sale Wire
22			Non Sale Lead Sealing
23	299516	1	Cover Gasket
24	299462	3	Bolt
25	299432	1	Bolt
26	301398	1	WireHolder
27	301500	1	Lever Shaft Assembly
28	300008	1	Bolt

NOZZLE HOLDER

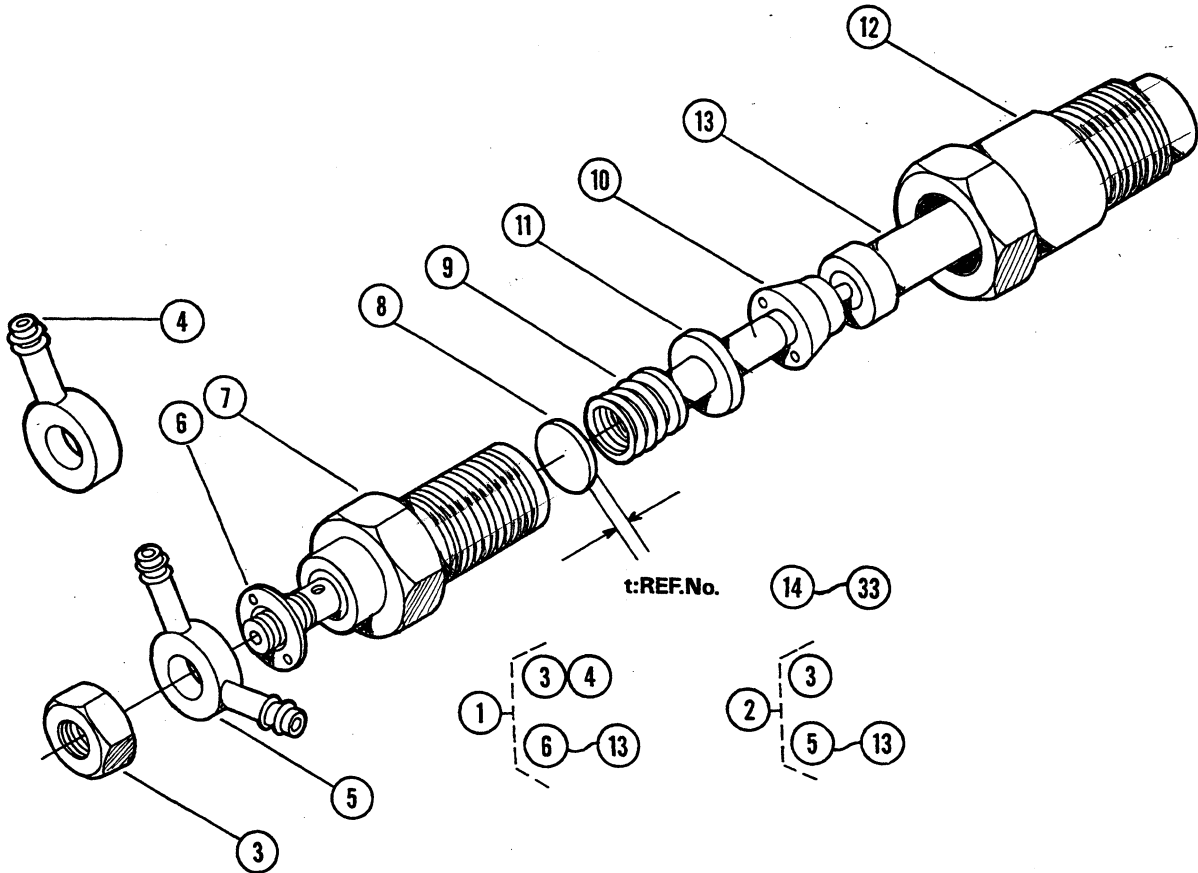
Item	Part No.	Quantity	Name/Description
1	296787	1	Nozzle Holder Assembly No. 1
2	2987a8	2	Nozzle Holder Assembly No. 2
3	301303	3	Gasket, Injector Sealing
4	299521	1	Injection Pipe No. 1
5	299522	1	Injection Pipe No. 2
6	300174	1	Injection Pipe No. 3
7	298792	2	Pipe Clamp No. 1
8	298793	2	Pipe Clamp No. 2
9	298794	2	Screw, with Washer
10	299685	3	Glow Plug
11	299523	2	Glow Plug Connector
12	299520	2	Fuel Overflow Hose 3/16 ID
12A	302923	1	Fuel Return Assy - Metal
13	298797	6	Clamp
14	299831	1	Fuel Return Hose 3/16 ID
15	299828	1	Mounting Bracket
16	299829	1	Fuel Return Connector
17	256747	1	Fuel Return Kit



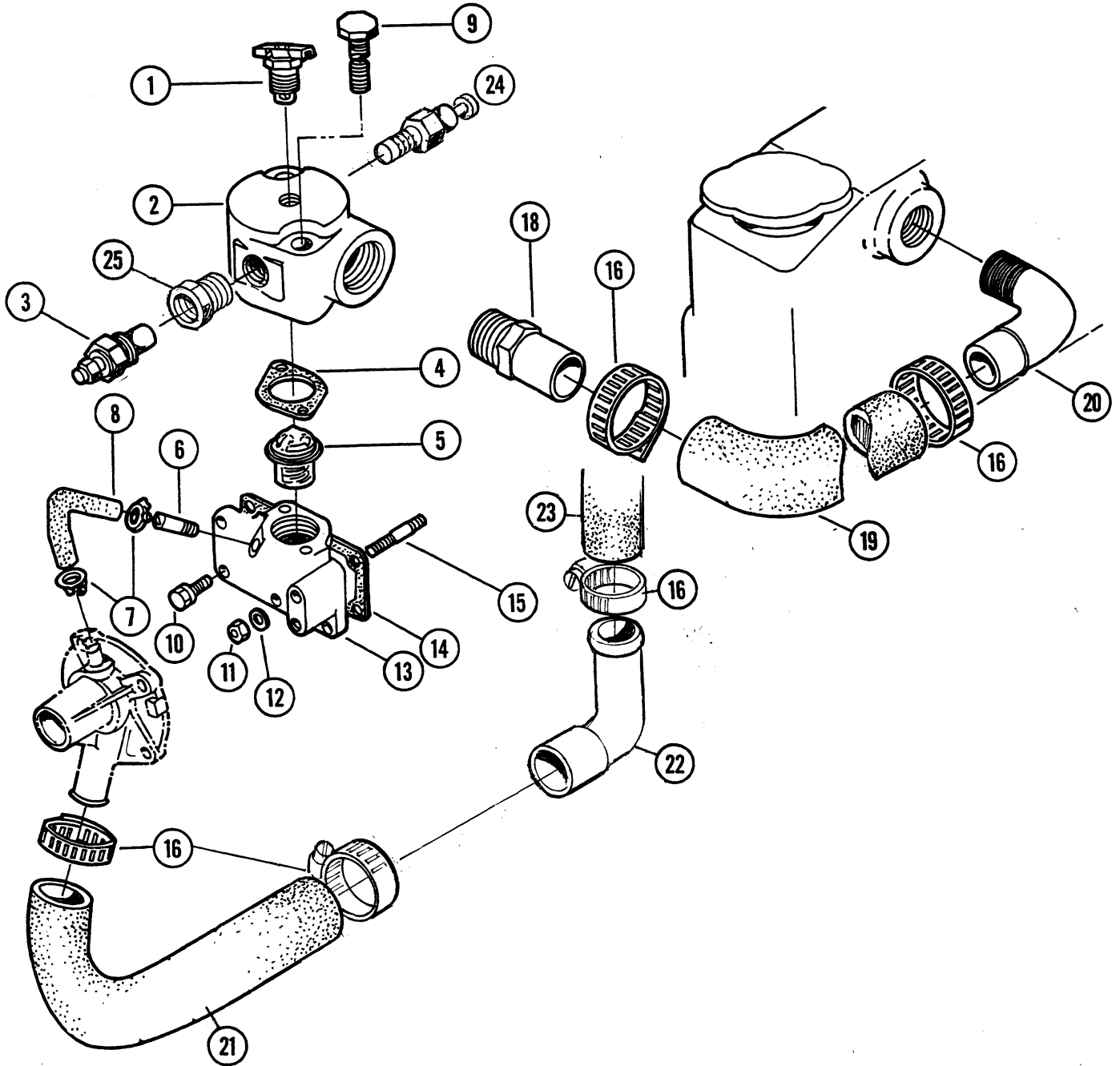
NOZZLE HOLDER ASSEMBLY

Item	Part No.	Quantity	Name/Description
1	298787	1	Nozzle Holder Assembly 1
2	298788	2	Nozzle Holder Assembly 2
3	301508	1	Nut
4	301161	1	Eye Joint 1
5	301162	1	Eye Joint 2
6	301137	1	Plain Washer
7			<i>Order by Item No. 2</i>
8	301509	1	Adjusting Washer
9	301510	1	Nozzle Spring
10	301511	1	Distance Piece
11	301512	1	Push Rod
12	301513	1	Nozzle Nut
13	301514	1	Nozzle Piece

Note: Item No's. 14 - 33 are available in sizes from 1.00 to 1.95 in .05 increments.



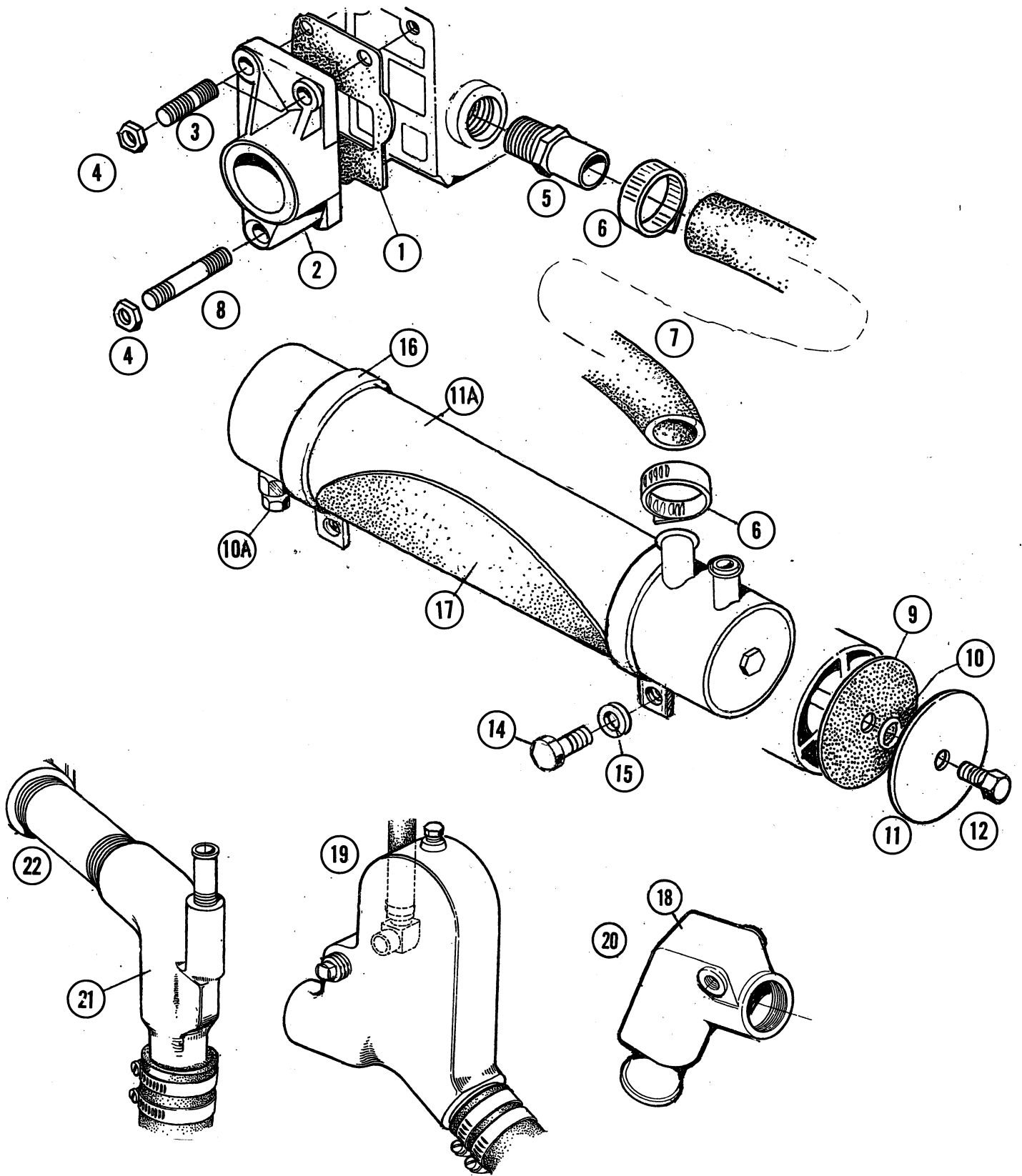
THERMOSTAT AND WATER FLANGE ASSEMBLY



THERMOSTAT AND WATER FLANGE ASSEMBLY

Item	Part No.	Quantity	Name/Description
1	239138	1	Pet Cock 1/8 NPT
2	300099	1	Thermostat Housing
3	035109	1	Temperature Sender
4	300237	1	Gasket Thermostat Housing
5	301358	1	Thermostat 160°
6	300235	1	Pipe
7	301397	2	Hose Clamp (USA)
8	300236	1	Hose
9	300330	2	Thermostat Mounting Bolts (6mm x 50mm)
10	299462	3	Bolt
11	298684	1	Nut
12	299369	1	Spring Washer
13	300233	1	Flange Water
14	300234	1	Gasket Water Flange
15	301506	1	Stud
16	011386	6	Hose Clamp No. 12
18	286075	1	Hose Connector 3/4 MPT to 7/8 ID Hose
19	300101	1	Wire Flex Hose 7/8 ID x 7" Lg.
20	298644	1	Hose Connector EL - 90, 3/4 MPT to 7/9 Hose
21	302068	1	Hose, 1" x 90° Molded
22	302150	1	90° Copper Elbow
23	299826	1	Hose, 7/8" ID x 22 1/2
24	030125	1	Switch, Water Temperature Alarm
25	037453	1	Bushings, 1/4 NPT - 1/8 NPT

HEAT EXCHANGER ASSEMBLY

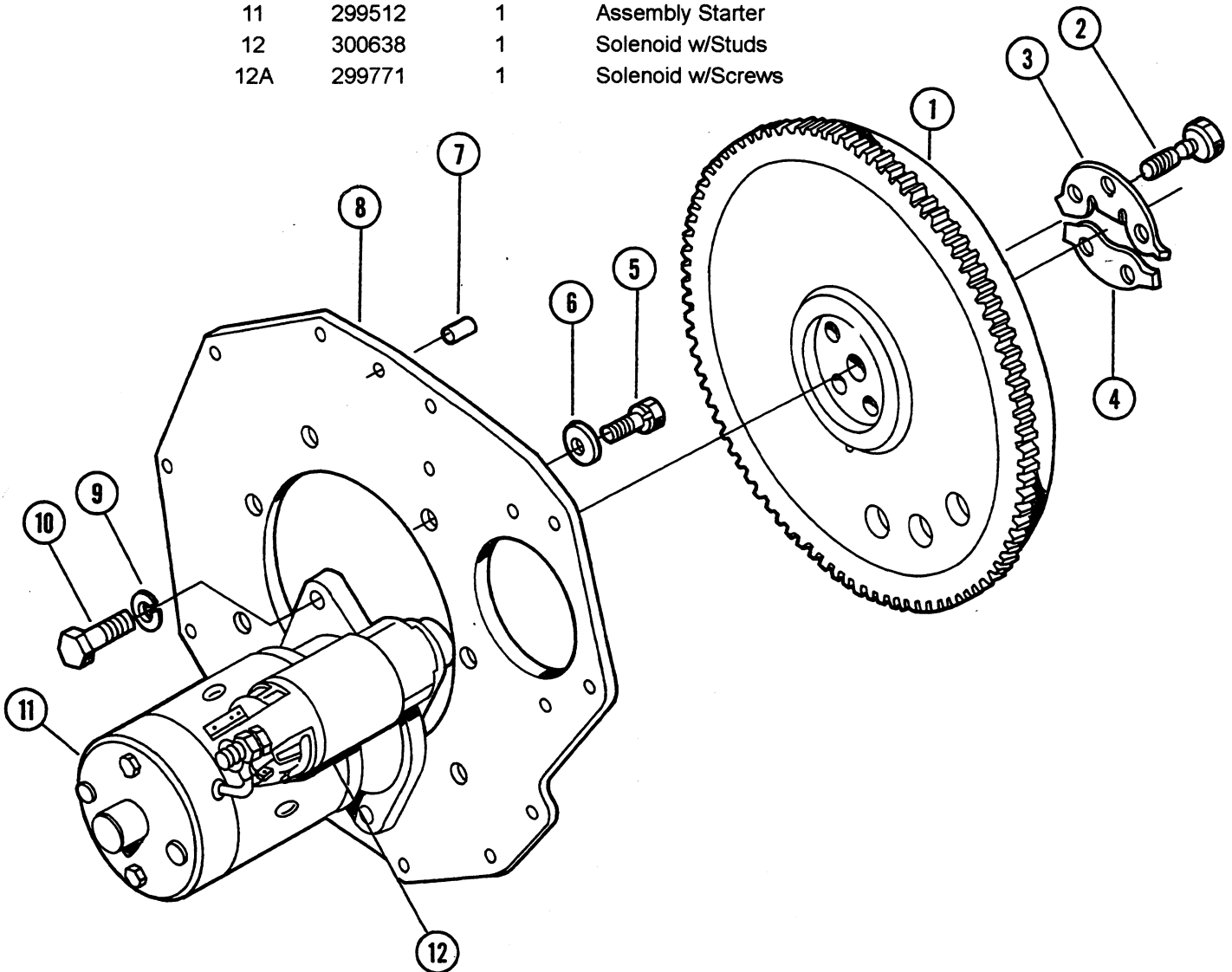


HEAT EXCHANGER ASSEMBLY

Item	Part No.	Quantity	Name/Description
1	298600	1	Gasket — Exhaust Flange
2	298599	1	Exhaust Flange 1.25 NPTF
3	012506	2	Stud 3/8 -16 & 24 X 1-7/16
4	230147	1	Hex Nut 3/8 - 24
5	266075	1	Hose Connector 3/4 MPT
6	011386	2	Hose Clamp No.12
7	040412	1	Hose 7/8 ID
8	298974	1	Stud 3/8 - 16 & 24 X 2 - 5/8
9	022851	1	Gasket
10	019321	1	O-Ring
10A	301068	1	Zinc Drain Plug 3/8 NPT x 1 1/4
11	022850	1	Cover
11A	302631	1	New Style Heat Exchanger w/MTG. BRKTS 3"x13"
12	022852	1	Cap Screw (Brass)
14	018813	2	Bolt
15	019262	2	Lock Washer
16	046946	2	Clamp
17	303147	1	Cushion Exchanger
18	201050	1	Elbow, Injected 45° 1.25 NPTF
19	200383	1	Riser, 1.25 NPTF
20	302207	1	Elbow Kit 45° 1.25 NPTF (Elbow & Fittings)
21	200385	1	Elbow, Injected 90° 1.5 NPTF
22	020280	1	Closed Nipple 1.25 NPT 1-1/2 inches

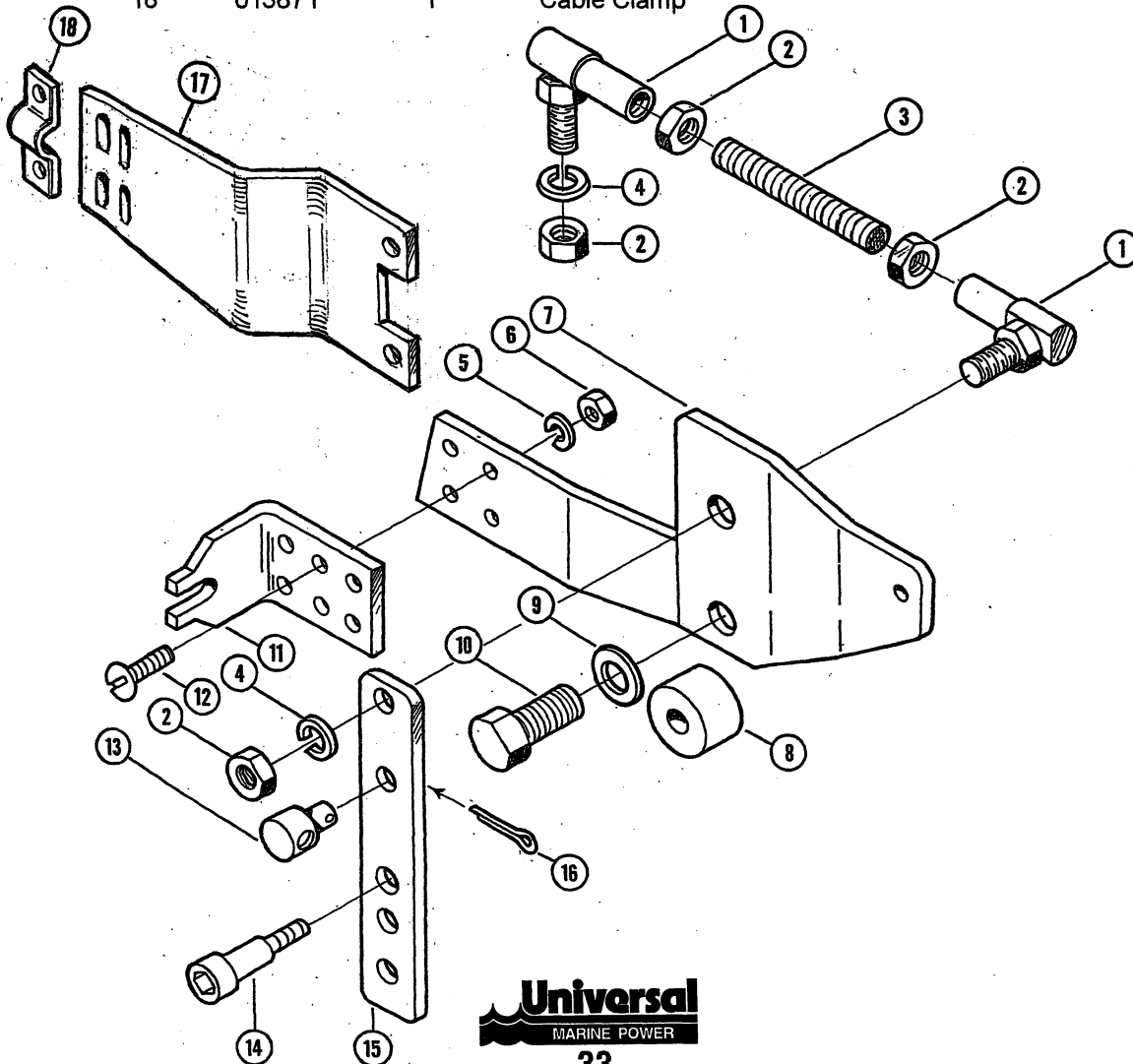
FLYWHEEL ASSEMBLY

Item	Part No.	Quantity	Name/Description
1	300169	1	Assembly, Flywheel
2	299506	5	Bolt, Flywheel
3	300170	1	Washer, Flywheel
4	300171	1	Washer 2 Flywheel
5	300172	8	Bolt
6	299511	8	Spring Washer
7	299509	1	Pin Straight
8	299508	1	Rear End Plate
9	299515	2	Washer Spring
10	298539	2	Bolt
11	299512	1	Assembly Starter
12	300638	1	Solenoid w/Studs
12A	299771	1	Solenoid w/Screws

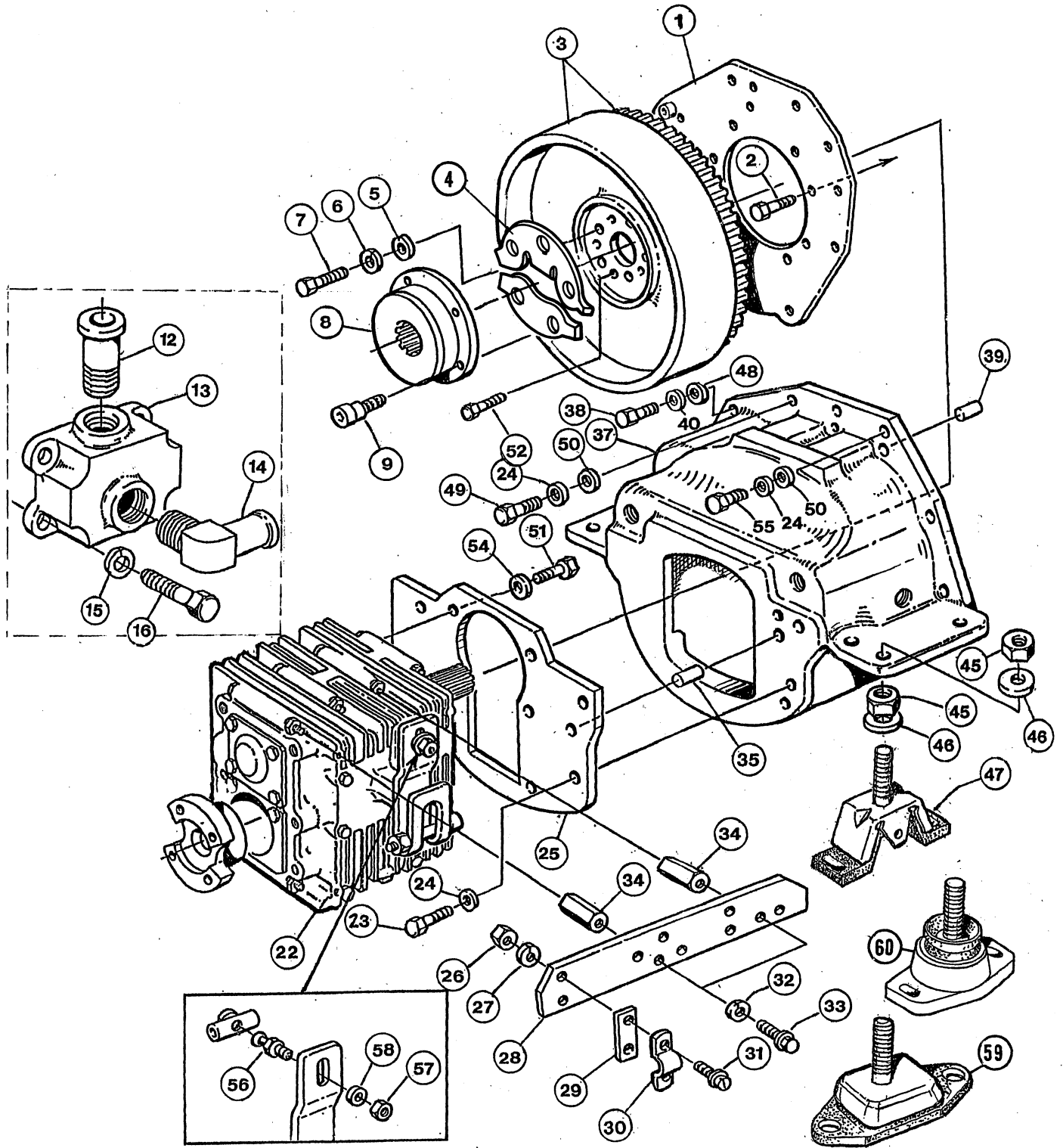


THROTTLE BRACKET ASSEMBLY

Item	Part No.	Quantity	Name/Description
1	299767	2	BallJoint
2	230184	4	Hex Jam Nut 1/4 - 28
3	299792	1	Adjustment Rod
4	231907	2	Lock Washer 1/4
5	231890	2	Medium Spring Lock Washer No. 10
6	294581	3	Machine Screw Nut No. 10 - 24
7	300958	1	Throttle Bracket
8	300090	1	Spacer — Lever
9	231906	2	Lock Washer 5/16
10	299290	2	Hex Head Cap Screw 8mm x .787
11	298630	1	Cable Clip
12	231211	2	Round Head Machine Screw No. 10 - 24 X 5/8
13	299019	1	Pivot — Throttle Cable
14	231452	1	Socket Head Shoulder Screw No. 10 - 24 X 1/4
15	300826	1	Lever — Throttle
16	230281	1	Cotter Pin
17	302002	1	Stop Cable Bracket
18	013871	1	Cable Clamp



BELL HOUSING AND TRANSMISSION



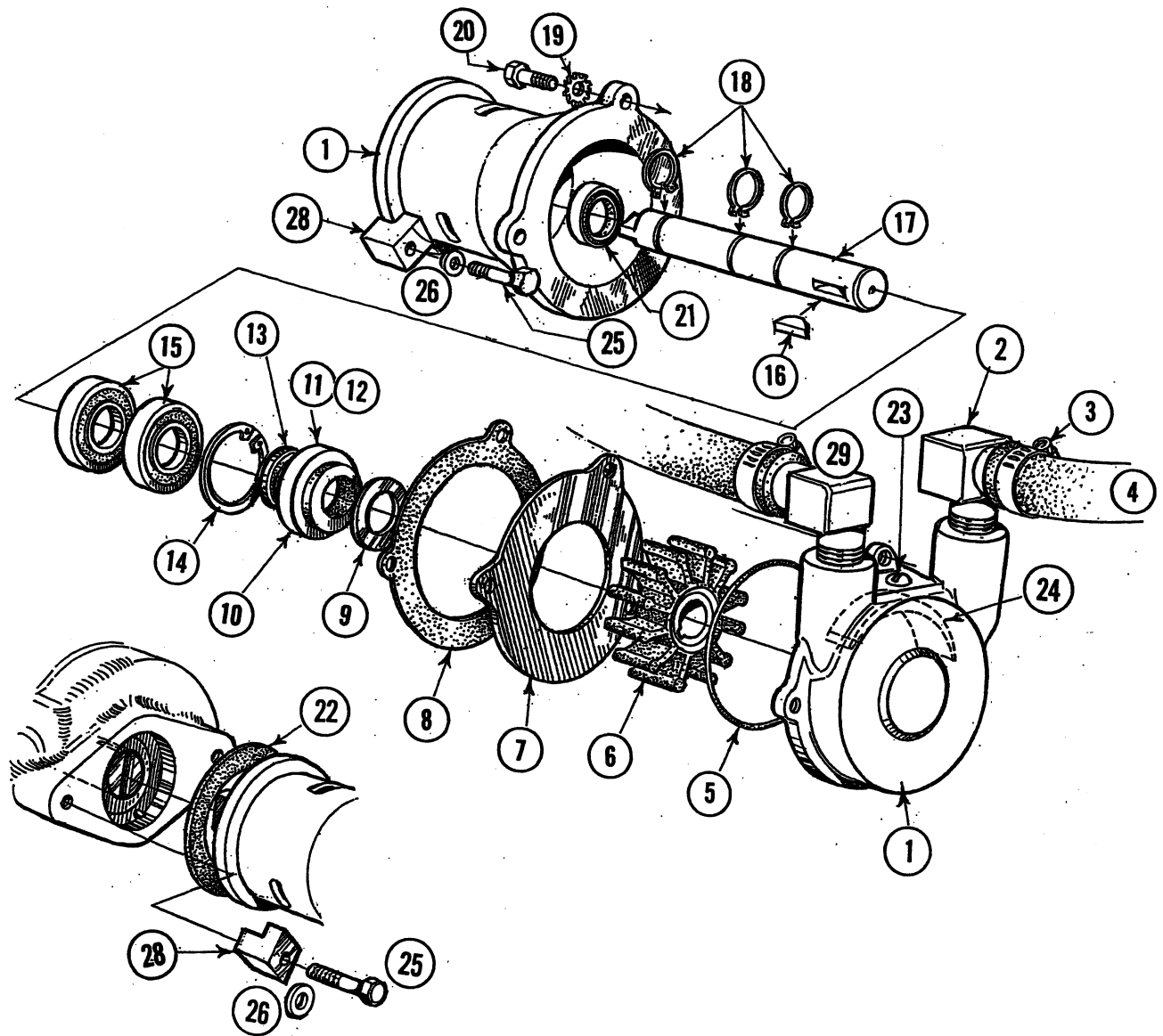
BELL HOUSING AND TRANSMISSION

Item	Part No.	Quantity	Name/Description
1	299508	1	Plate — Back End
2	300172	8	Bolt — Plate
3	300169	1	Flywheel — Assenbly, M-25 XPA
4	300170	1	Washer — Upper
4-1	300171	1	Washer — Lower
8	299156	1	Damper
9	200443	5	Screw — Shoulder, Damper
12	036622	1	Nipple — Hose 3/4 NPT to 1
13	040036	1	Cooler — HBW Transmission - Optional
14	036614	1	Elbow — Hose 3/8 NPT to 1
15	031786	4	Lockwasher — M 8 DIN 127
16	017196	4	M 8 x 20 DIN 933
22-1	300115	1	Transmission — 2:1 HBW 50-2R - M-25 XPA
22-2	299942	1	Transmission — 2.1:1 HBW 150V-2R - V-Drive Option
23	013629	6	Capscrew — M 10 x 25 DIN 933
24	019262	8	Lockwasher — M 10 DIN 127
25-1	200333	1	Adapter — HBW 35-150
25-2	200371	1	Adapter — HBW 150V - V-Drive Option
26	031847	2	Nut — HEX, 10 - 32 Machine (<i>Stainless</i>)
27	031849	2	Lockwasher — Split, 10 MED (<i>Stainless</i>)
28	032161	1	Bracket — Shift Cable
29	013870	1	Shim — Cable Clamp
30	013325	1	Clamp — Cable
31	031873	2	Screw — 10 - 32 x 5/8 (<i>Stainless</i>)
32	031786	2	Lockwasher — M 8 DIN 127
33	031786	2	Capscrew — M 8 x 25 DIN 933
34	030756	2	Nut — Pillar, M 8 x 1.25
35	019039	2	Dowel
37	200365	1	Housing — Flywheel
38	298539	5	Capscrew — M 8 x 28 DIN 933
39	298618	2	Dowel
40	031786	7	Lockwasher — M 8 DIN 127
41	018242	1	Nut — M 8 DIN 934
45	040966	2	Nut — Jam M 16, Self-Locking
46	031828	2	Washer — Flat, 5/8 SAE (<i>Steel</i>)
47	040510	2	Isolator — Marine 75 - 130 lb
48	031787	5	Washer — M 8 DIN 125
49	024953	1	Capscrew — M 10 x 1.25 x 35 DIN 961
50	031789	2	Washer — M 10 DIN 125
51-1	020650	6	Capscrew — M 8 x 18 DIN 933
51-2	018813	6	Capscrew — M 10 x 20 DIN 933
52	299506	6	Bolt — Flywheel
53	013630	1	Capscrew — M 8 x 25 DIN 933
54-1	031786	6	Lockwasher — M 8 DIN 127
54-2	019262	6	Lockwasher — M 10 DIN 127
55	024955	1	Capscrew — M 10 x 1.25 x 45 DIN 960
56	033482	1	Balljoint — Shift Cable
57	031754	1	Nut — 1/4 NF
58	031752	1	Lockwasher — 1/4
59	036339	2	Isolator — Marine 45 Dur M 16 Stud
60	032013	2	Isolator — Marine 40 Dur 5/8 Stud

FUEL LIFT PUMP, SOLENOID AND FUEL RETURN

Item	Part No.	Quantity	Name/Description
1	299685	3	Glowplug — 12 VDC
2	299523	1	Strap — Glowplug connecting
3	022513	1	Elbow — Adapter
4	021485	1	Adapter — 5/16 Tube 1/2 - 20 Male SW
5	017298	1	Clamp — Hose
6	039140	15	Hose — Fuel, 5/16 ID- M-25XPA (<i>Inches Req</i>)
7	039275	1	Pump — Fuel Lift 12 VDC
8	031750	4	Nut — Hex, 1/4 - 20 MED (<i>Steel</i>)
9	031752	4	Lockwasher — Split 1/4 MED (<i>Steel</i>)
10	031753	4	Washer — Flat, 1/4 SAE (<i>Steel</i>)
11	013340	1	Elbow — Nut, 1/8 NPT 90° STREET (<i>Brass</i>)
12	031760	2	Nut — 5/16 - 24 NF HEX (<i>Steel</i>) Zinc
13	031758	2	Lockwasher — Split, 5/16 MED (<i>Steel</i>)
14	024639	1	Solenoid — Preheat, 24 VDC
15	031847	2	Nut — HEX, 10 - 32 Machine (<i>Stainless</i>)
16	031849	2	Lockwasher — Split, 10 MED (<i>Stainless</i>)
17	039806	1	Resistor — Assembly, Propulsion Alarm
18	036563	1	Breaker — Circuit, 10 AMP
19	024955	1	Capscrew — M 10 x 1.25 x 45 DIN 960
20	019262	1	Lockwasher — M 10 DIN 127
21	031789	1	Washer — M 10 DIN 125
22	043480	2	Screw — Hex Washer HD, 8 - 32 x 7/8 SS
23	031843	1	Washer — Flat, 8 SS AN960
24	018811	1	Capscrew — M 8 x 40 DIN 931
25	200258	1	Bracket — Solenoid Breaker Pump
26	031503	3	Capscrew — 1/4 NC x 3/4
27	024683	1	Breaker — Circuit, 20 AMP, 12 VDC
28	040384	1	Clamp — Hose, Mini
29	299830	1	Connector — Fuel Return Assembly
30	031753	1	Washer — Flat, 1/4" SAE (<i>Steel</i>)
31	031505	1	Capscrew — 1/4 NC x 1"
32	018242	1	Nut — M 8 DIN 934
33	031786	1	Lockwasher — M 8 DIN 127
34	042225	2	Spacer
35	031860	2	Nut — HEX 5/16 NF (<i>Steel</i>)

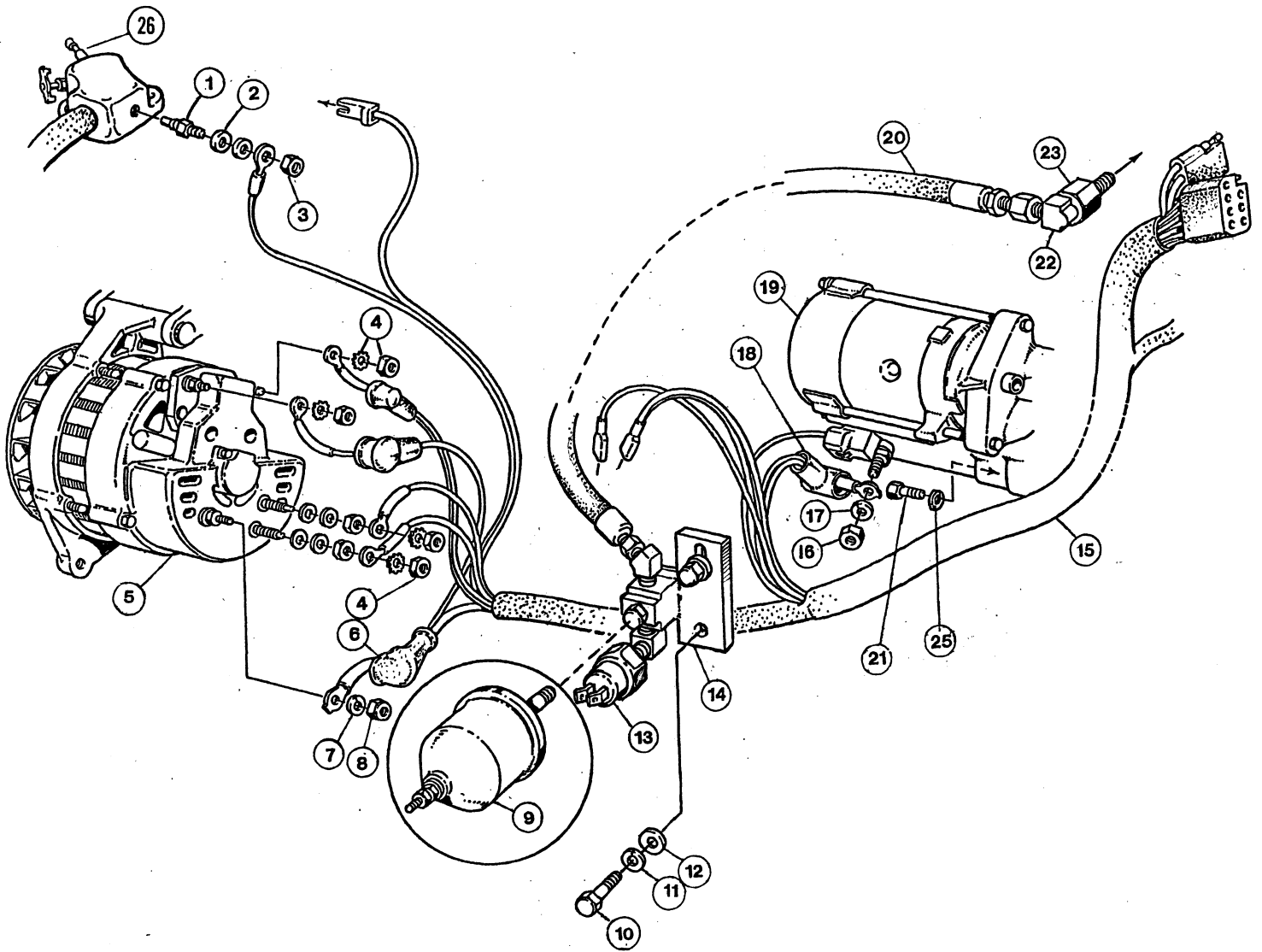
RAW WATER PUMP



RAW WATER PUMP

Item	Part No.	Quantity	Name/Description
1	042175	1	Pump — Raw Water, <i>Includes Ref #s 6 - 20</i>
2	030183	1	Elbow — 1/2 NPT x 7/8 Hose 90°
3	011386	1	Clamp — Hose 12
4	010059	26	Hose — 7/8" Wire Inserted. <i>Inches Required</i>
5	302877	1	O-Ring
6	200175	1	Impeller Kit — Includes Ret#s 5,6 & 8
7	302878	1	Plate — Pump End
8	302879	1	Gasket — Pump
9	302876	1	Washer — Flat
10	302885	1	Seal — Pump, Assembly
11	302880	1	Seat — Seal
12	302881	1	Seal — Water Pump
13	302866	1	Slinger — Pump
14	018146	1	Ring — Retaining (<i>Internal</i>)
15	302884	2	Bearing — Ball
16	302874	1	Key — Woodruff #61
17	200536	1	Shaft — Water Pump
18	018145	3	Ring — Retaining (<i>External</i>)
19	032183	3	Lockwasher — 14"
20	018143	3	Capscrew — Impeller cover
21	303172	1	Seal — Pump
22	302872	1	Gasket — Raw water Pump Mount
23	302871	1	Screw — Cam
24	302872	1	Cam — Pump
25	020628	2	Capscrew — M 6 x 25 DIN 933
26	031783	2	Lockwasher — M 6 DIN 127
28	302680	2	Clamp "L"
29	302217	1	Elbow — 1/2 NPT x 5/8 Hose, 90°
30	200176	1	Pump Kit — Rebuild

ELECTRICAL SYSTEM

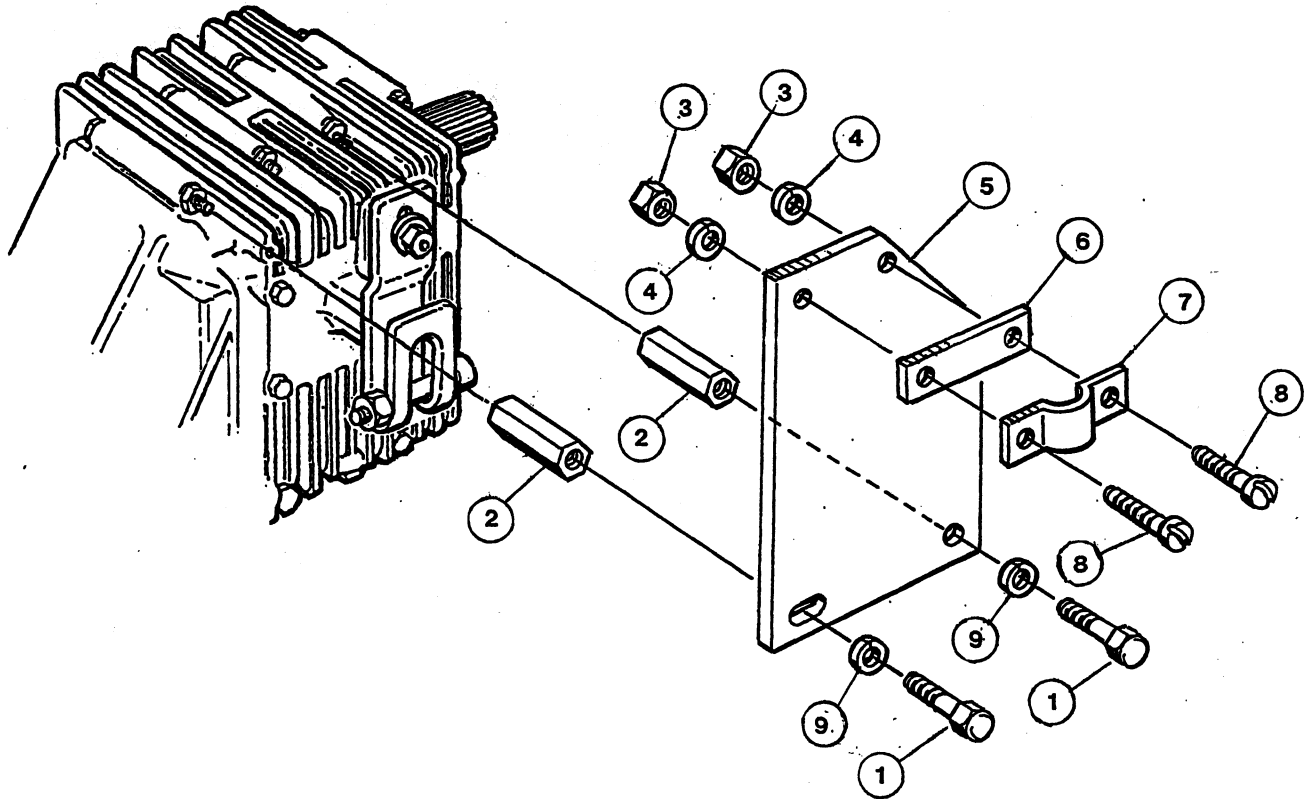


ELECTRICAL SYSTEM

Item	Part No.	Quantity	Name/Description
1	035109	1	Sender — Water Temperature
2	031849	1	Lockwasher — 10
3	031847	1	Nut — 10-32
4	031904	4	Nut — 10-24, KEPS (<i>Stainless</i>)
5-1	041017	1	Alternator — 12VDC, 51A
5-2	056095	1	Alternator — 12VDC, 65A W/AC TAP
6-1	303109	2	Boot — Alternator
6-2	034472	1	Boot — Terminal - Not Shown
7	031752	1	Lockwasher — 1/4 MED (<i>Steel</i>)
8	031750	1	Nut — HEX, 1/4-20 MED (<i>Steel</i>)
9	024132	1	Sender — Oil Pressure, 12VDC, 100 PSI
10	024951	2	Capscrew — M 10 x 125 x DIN 961
11	019262	2	Lockwasher — M 10 DIN 127
12	031789	2	Washer — M 10 DIN 125
13	037323	1	Switch — Oil Pressure No. 5
14	032480	1	Bracket — Oil Pressure Sender
15-1	200260	1	Harness — Marine
15-2	200268	1	Harness — Marine - Catalina Option
16	018242	1	Nut — M 8 DIN 934
17	031786	1	Lockwasher — M 8 DIN 127
18	303107	1	Boot — Starter
19-1	299512	1	Motor — Starter M-25XPA
19-2	300538	1	Solenoid — Starter
20	039385	1	Hose — Oil
21	013619	2	Capscrew — M 8 x 30 DIN 933
22	015122	1	Elbow — 1/8 NPT to 45 DEG Street (<i>Steel</i>)
23	024844	2	Adapter — 1/8 BSPT to 1/8 NPT
25	031786	2	Lockwasher — M 8 DIN 127
26	030125	1	Switch — Water Temperature Alarm

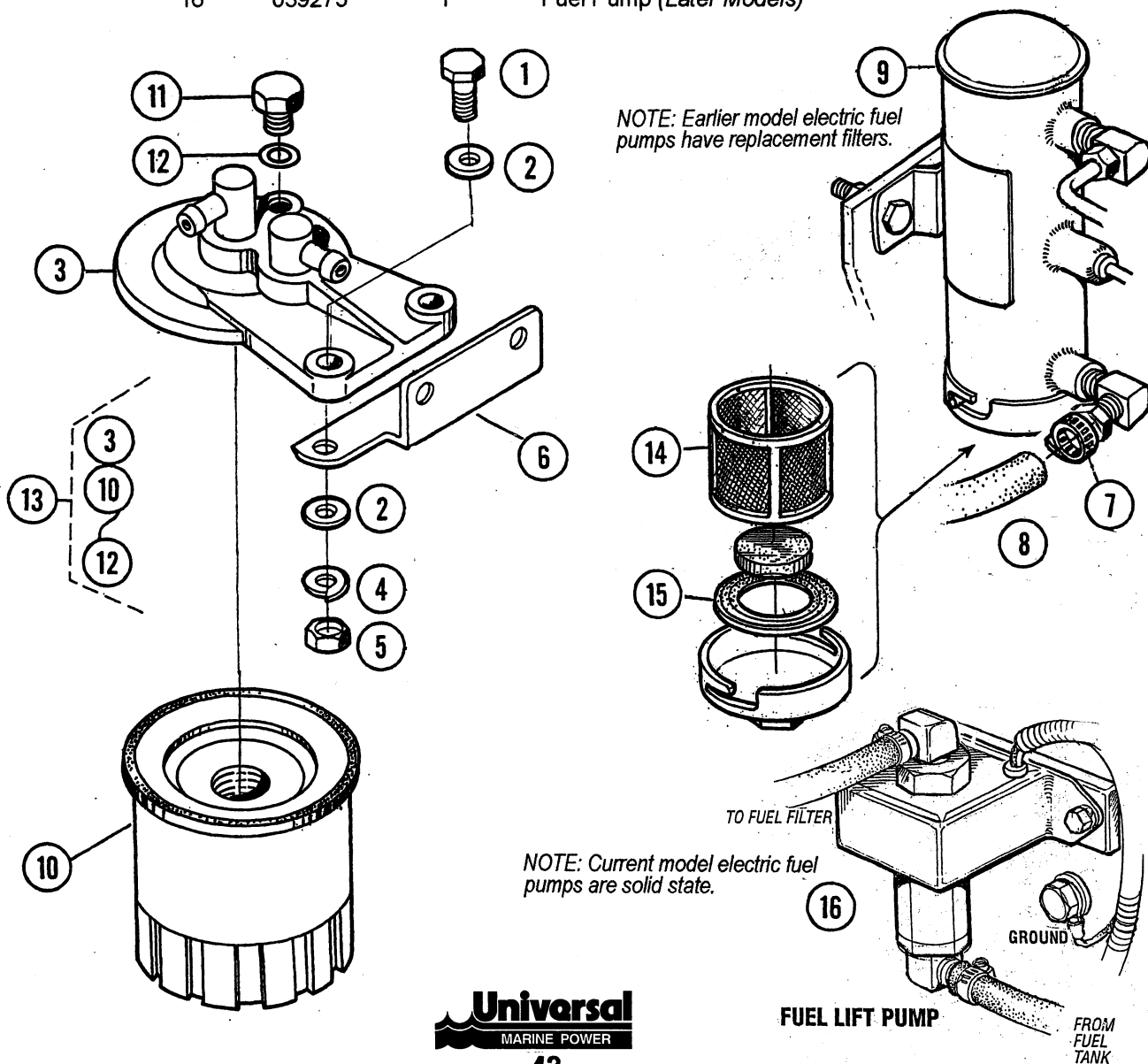
TRANSMISSION HBW VERTICAL SHIFTING BRACKET

Item	Part No.	Quantity	Name/Description
1	013630	2	Capscrew — M 8 x 25 DIN 933
2	030756	2	Nut — Pillar, M 8 x 1.25
3	031847	2	Nut — Hex, 10-32 Machine (Stainless)
4	031849	2	Lockwasher — Split, 10 Med (Stainless)
5	030181	1	Bracket — Shift Cable Top Entry HBW Gear
6	013870	1	Shim — Shift Cable Clamp Bottom
7	013325	1	Clamp — Shift Cable
8	031873	2	Screw — 10-32 x 5/8 (Stainless)
9	031786	2	Lockwasher — M 8 DIN 127



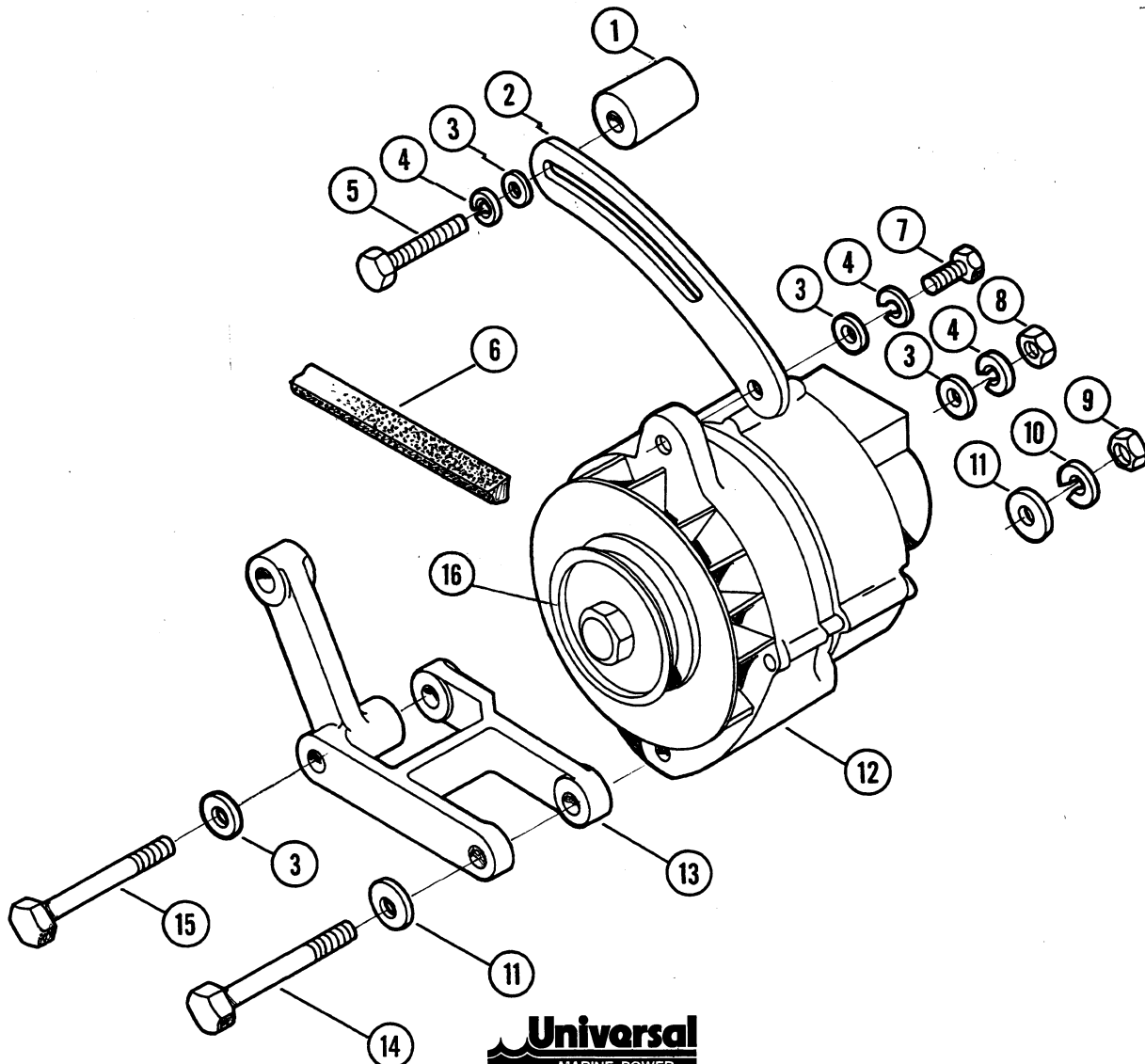
FUEL FILTER ASSEMBLY

Item	Part No.	Quantity	Name/Description
1	231059	2	Cap Screw
2	231875	4	Flat Washer
3	301602	1	Fuel Filter Cover
4	231906	2	Washer Lock
5	230141	2	Nut
6	300103	1	Bracket, Fuel Filter
7	298605	2	Clamp Adjustable
8	039140	by the inch	Fuel Hose
9	301385	1	Electric Fuel Pump (Early Models)
10	298854	1	Fuel Filter Element
11	299855	1	Bleed Screw
12	299856	1	O-Ring
13	298853	1	Fuel Filter Assembly
14	300128	1	Filter & Gasket
15	034706	1	Gasket
16	039275	1	Fuel Pump (Later Models)



ALTERNATOR ASSEMBLY

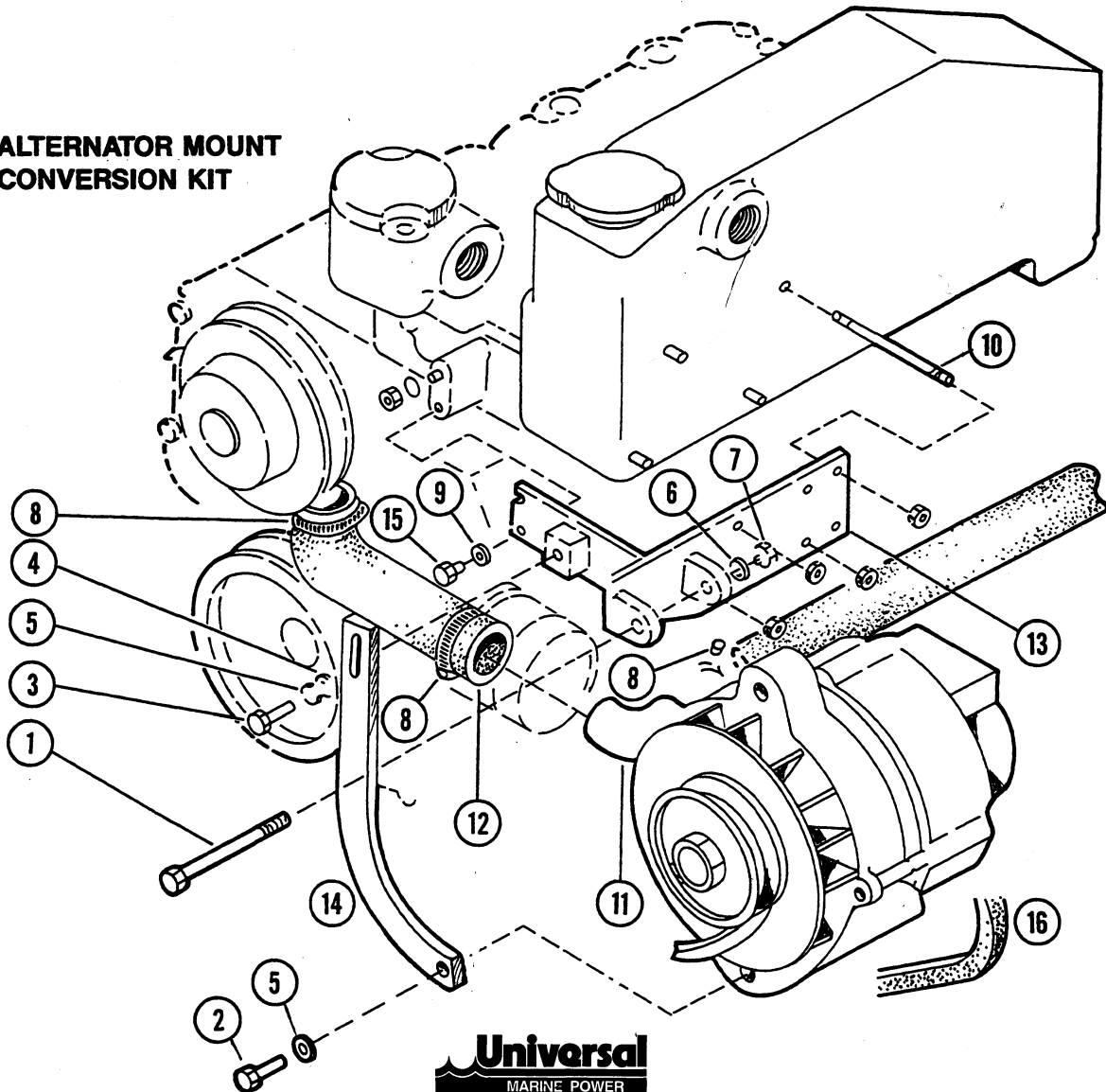
Item	Part No.	Quantity	Name/Description
1	1 300105	1	Spacer — Alternator Arm
2	299809	1	Alternator Adjusting Arm
3	231875	4	Washer — 5/16 Plain
4	231891	3	Washer — Spring Lock 5/16
5	301019	1	Screw — Hex Head 5/16 - 18 x 3 - 1/4
6	300805	1	V-Belt
7	231057	1	Hex Head Cap Screw 5/16 - 18 x 3/4
8	230141	1	Hex Nut 5/16 - 18
9	230144	1	Hex Nut 3/8 - 16
10	231895	1	Washer — 3/8 Spring lock
11	231876	2	Washer — 3/8 SAE
12	041017	1	Alternator 51 AMP
12A	056095	1	12V 65 AMP Alt. w/AC TAB Larger Bolt Hole 1" MTG. & Spacer 1"
13	300950	1	Bracket — Alt. Mounting Assembly
14	231093	1	Hex Head Cap Screw 3/8 - 16 x 3 - 3/4
15	243061	1	Hex Head Cap Screw 5/16 - 18 x 4 - 1/2
16	011548	1	Pulley — Alt. 041017



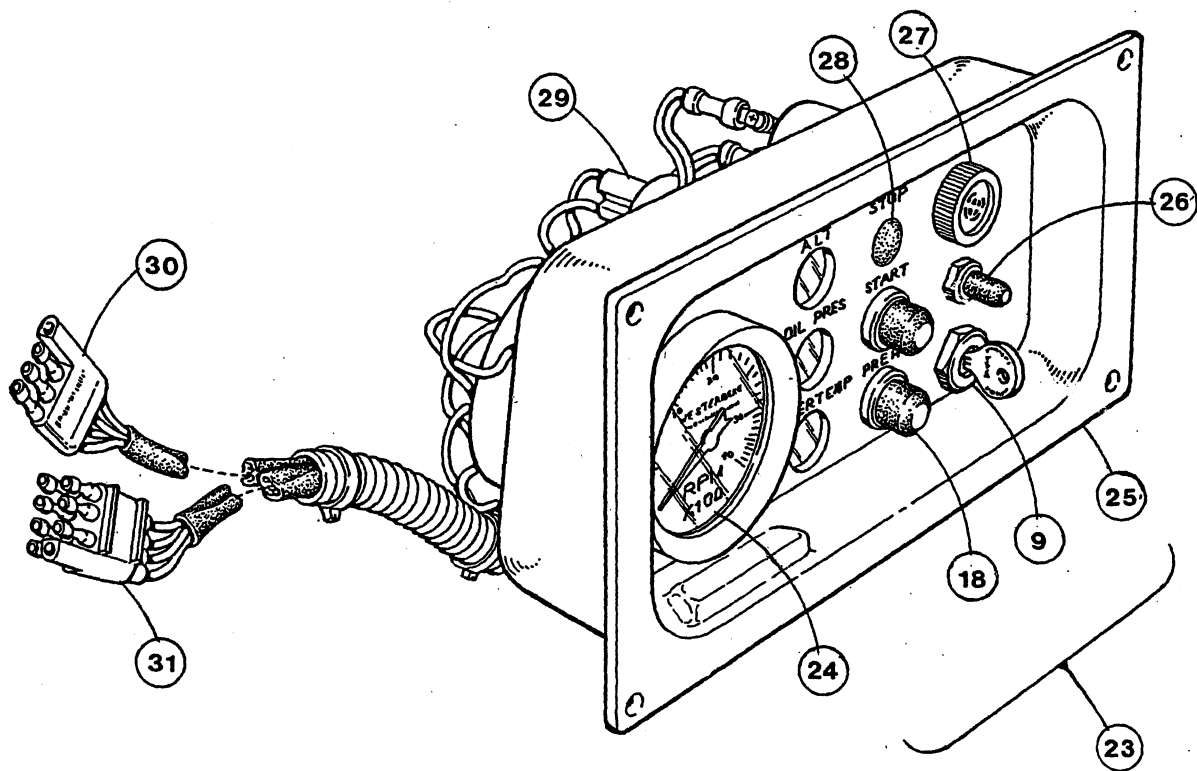
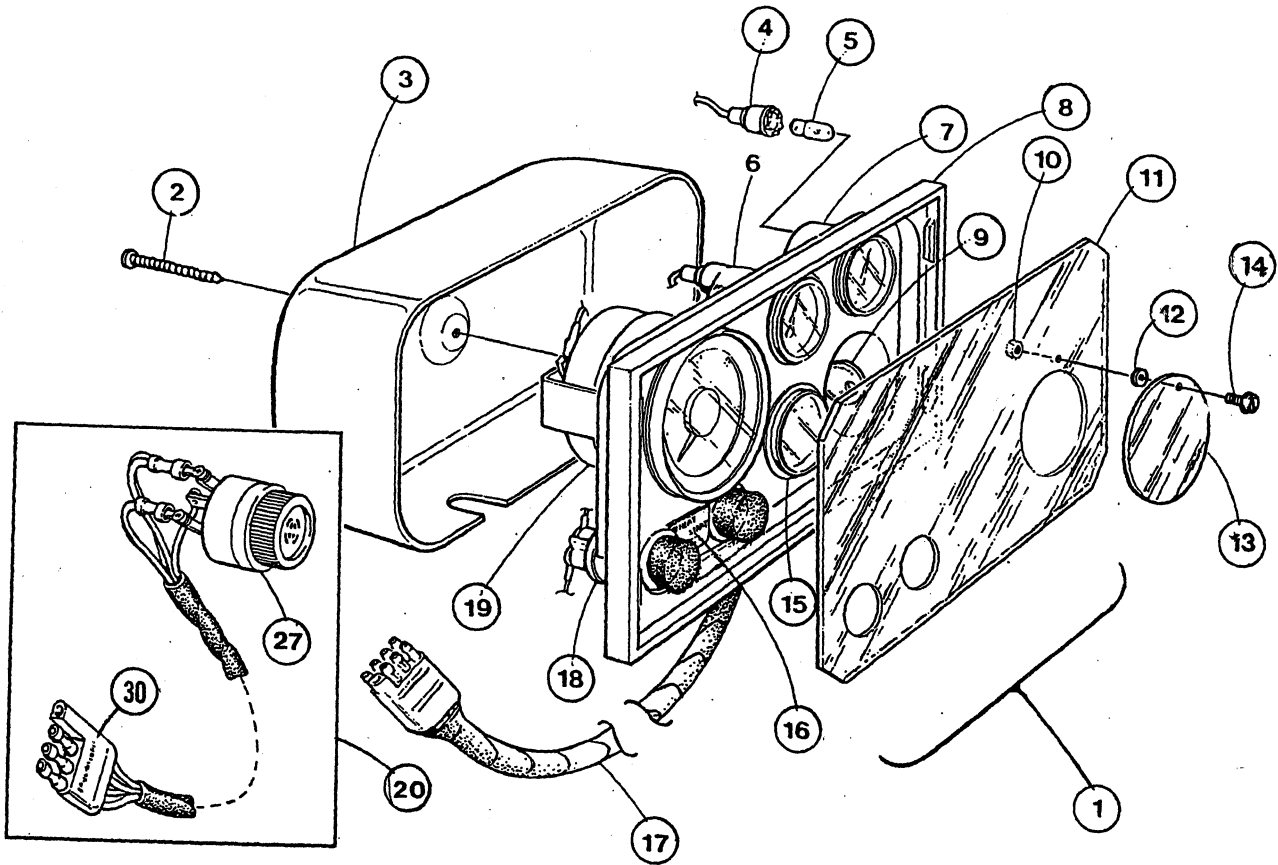
ALTERNATOR MOUNTS

Item	Part No.	Quantity	Name/Description
1	010377	1	3/8 - 16 x 3 - 1/2 Hex HD Cap Screw
2	015250	1	5/16 - 18 x 3/4 Hex HD Cap Screw
3	015251	1	5/16 - 18 x 1 Hex HD Cap Screw
4	015386	1	5/16 FLT Washer
5	015395	2	5/16 Medium SPR Lock Washer
6	015396	1	3/8 Med SPR Lock Washer
7	015419	1	3/8 - 16 Hex Nut
8	011386	3	Hose Clamp
9	299033	1	6.1 MM ID x 11.8 MM OD x 1/6 MM SPR Lock Washer
10	300095	4	6 MM DIA x 97 MM Large Stud
11	302150	1	Elbow 90° 3/4
12	302086	1	1" ID x 90° Model Hose
13	302087	1	Alternator Mount
14	302088	1	Alternator ADJ Arm
15	302039	1	6 MM x 1 MM x 20 MM LF Hex HD Cap Screw
16	300817	1	V-Belt

ALTERNATOR MOUNT CONVERSION KIT



INSTRUMENT PANELS



INSTRUMENT PANELS

Item	Part No.	Quantity	Name/Description
1	200350	1	Panel — Admiral with Alarm and Senders
2	030913	1	Screw — Slotted Pan Head 10 x SS
3	030119	1	Cover — Panel Rear
4	042893	3	Lamp — Instrument 12 VDC Incl. Holder
5	037601	1	Meter — Water Temperature
7	037603	1	Meter — Oil Pressure
8	039827	1	Panel — Plate
9	033693	1	Keyswitch — Off/On
10	030003	1	Nut — Nylon Locking 6 - 32
11	033684	1	Cover — Faceplate
12	030002	1	Spacer — Nylon
13	024996	1	Window — Keyswitch Cover
14	030002	1	Screw — Nylon 6 - 32 x 112 Washer HD
15	037605	1	Voltmeter — 12 VDC
16	033682	1	Decal — Switch Identification
17	030148	1	Cable — Panel to Engine 8 PIN
18-1	033764	2	Switch — Pushbutton Start/Preheat
18-2	01903	2	Cap — Switch Cover Replacement
19	011917	1	Meter — Tachometer - Hour
20	03629	1	Alarm — Assembly
21	035625	3	Wire — Power to Meter Lamps
22	039144	1	Diagram — Wiring Engine
23	200362	1	Panel — Captain
24	036590	1	Meter — Tachometer
25	039828	1	Panel — Plate
26-1	036479	1	Switch — Test
26-2	036490	1	cap — Switch
27	013355	1	Buzzer — Alarm
28	030946	1	Plug — Nylon
29-1	024947	3	Lamp — 12VDC
29-2	036483	3	Holder — Lamp
30	036626	1	Harness — Panel to Engine 4 PIN
31	036627	1	Harness — Panel to Engine 8 PIN
32	036477	1	Terminal -Diode — Assembly (<i>Captain Panel</i>)
33	038049	2	Spacer — Terminal - Diode Assembly (<i>Captain Panel</i>)
34	039769	1	Plate — Universal Logo
35	200360	1	Diagram — Wiring Engine, Catalina
36	036630	1	Drawing — Template to Install Either Panel

MISCELLANEOUS/OPTIONAL EQUIPMENT

Item	Part No,	Quantity	Name/Description
1	256912	1	Kit A — M-25 XPA, Spare Parts
2	256802	1	Kit B — M-25 XPA, Extended Cruise
3-1	256921	1	Gasket Set — Upper, M-25 XPA
3-2	256930	1	Gasket Set — Complete, M-25 XPA
7	033327	1	Valve — Anti-Siphon
8	302981	1	Paint — Blue Aerosol Spray Can
9	201016	1	Kit — Fuel Hardware
10-1	030760	1	Harness — 15ft, Panel Extension 8 PIN
10-2	036557	1	Harness — 15ft, Panel Extension 4 PIN
11	040078	1	Filter Kit — Remote Lube Oil
13	200494	1	Manual — Operator, Universal "A" Series
14	200155	1	Manual — Service, M-25 XPA
15	024177	1	Kit — Remote Fresh Water Surge Tank

IMPORTANT

Product Software Disclaimer

Product software of all kinds, such as brochures, drawings, technical data, operator's and workshop manuals, parts lists and other information, instructions and specifications provided from sources other than Universal/Westerbeke is not within Universal/Westerbeke's control and; accordingly, is provided to Universal/Westerbeke customers as a courtesy and service. Universal/Westerbeke cannot be responsible for the content of such software, makes no warranties or representations with respect thereto, including the accuracy, timeliness or completeness thereof, and will in no event be liable for any type of damages or injury incurred in connection with, or arising out of, the furnishing or use of such software.

For example, components and sub—assemblies incorporated in Universal/Westerbeke's products and supplied by others (such as engine bolts, fuel systems and components, transmissions, electrical components, pumps and other products) are generally supported by their manufacturers with their own software and Universal/Westerbeke must depend on such software for the design of product software. Such software may be outdated and no longer accurate. Routine changes made by suppliers, of which Universal/Westerbeke rarely has notice in advance, are frequently not reflected in the supplier's software until after such changes take place.

Universal/Westerbeke customers should also keep in mind the time span between printings of product software and the unavoidable existence of earlier, non—current software editions in the field. Additionally, most Universal/Westerbeke products include customer requested special features that frequently do not include complete documentation.

In summation, product software provided with Universal/Westerbeke products, whether from Universal/Westerbeke or other suppliers, must not and cannot be relied upon exclusively as the definitive authority on the respective product. It not only makes good sense but is imperative that appropriate representatives of Universal/Westerbeke or the supplier in question be consulted to determine the accuracy and currency of the product software being consulted by the consumer.



